

STANDARD TECHNICAL INSTRUCTIONS

Mounting Rail Profiles



Mounting Rail
Direct



Domestic Rail
35x26mm



40x40



40x60



40x80

Common Components



Fixed Connector
MRD



Fixed Connector
Domestic



Fixed Connector
40x40, 40x60, 40x80



Flexible
Connector



Cross Connector



Cross Connector
CR



Corner Clamp



Middle Clamp

R3 Bourton Industrial Park, Bourton on the Water, Glos, GL54 2HQ, UK

Tel: +44 1451 824 312

Email: info@sunfixings.co.uk

WWW.SUNFIXINGS.CO.UK

V042019

2

Using the channels in the Mounting Rails



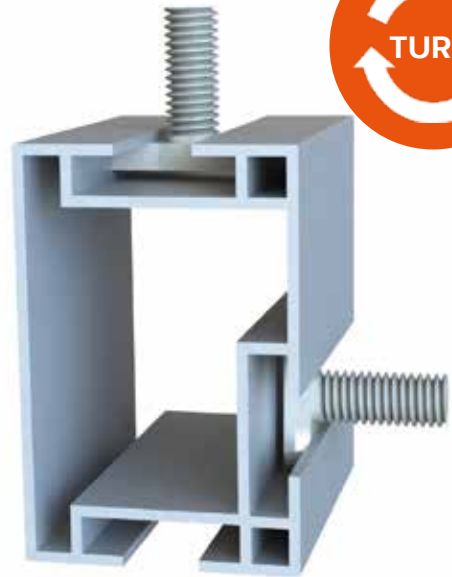
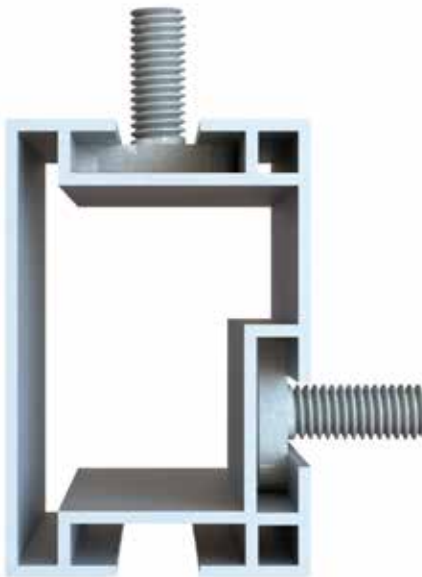
Mounting Rail



T Bolt

Insert the T Bolt into the relevant channel of the Mounting Rail.

Lock it into place by turning the T Bolt clockwise until the line in the bottom of the thread crosses the direction of the Mounting Rail.



3

Installing Fixed Connectors

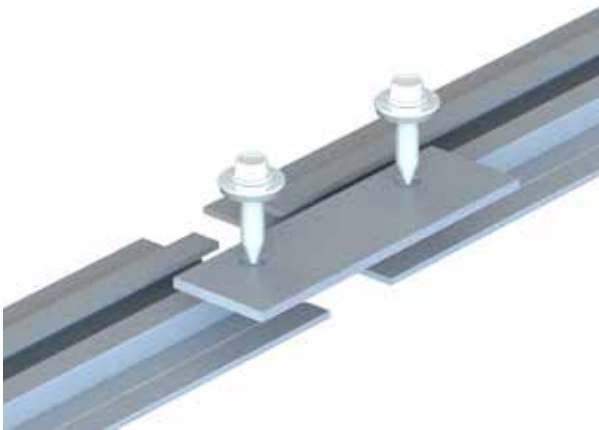
Mounting Rail Direct



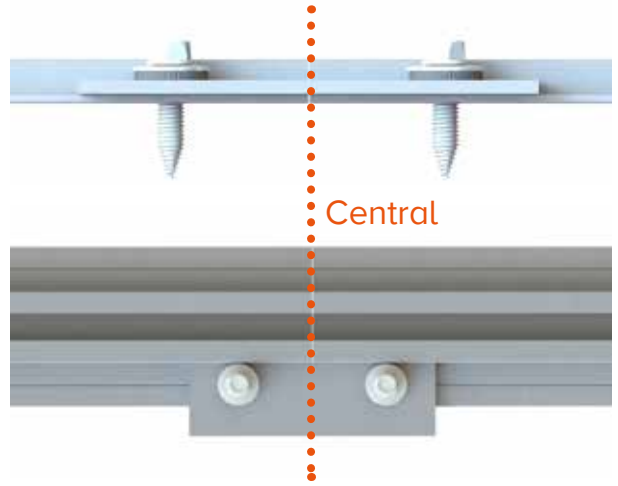
8mm Hex
Socket Driver



Battery Drill
(NOT Impactor)



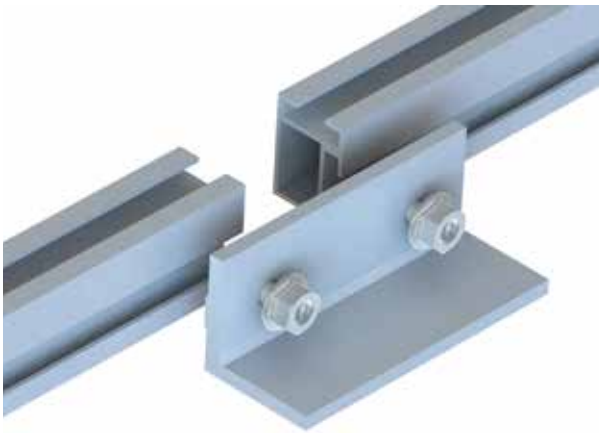
DO NOT overtighten
or squash the washer



Domestic Rail



13mm Spanner



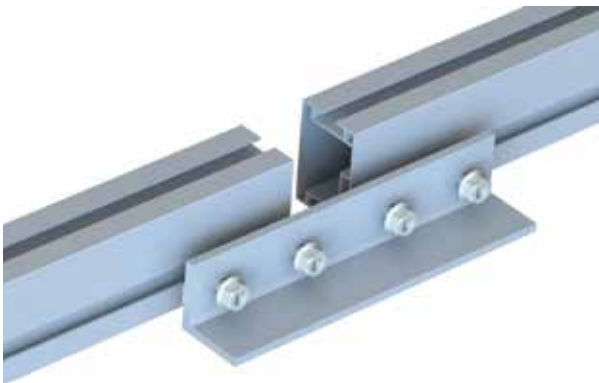
25Nm



40x40, 40x60 & 40x80



13mm Spanner



25Nm

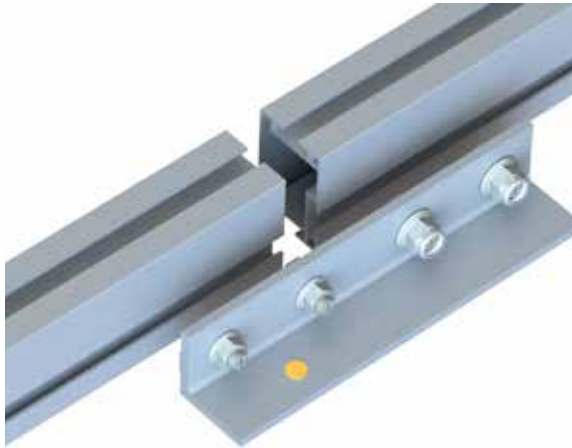


4

Installing the Flexible Connector



13mm Spanner

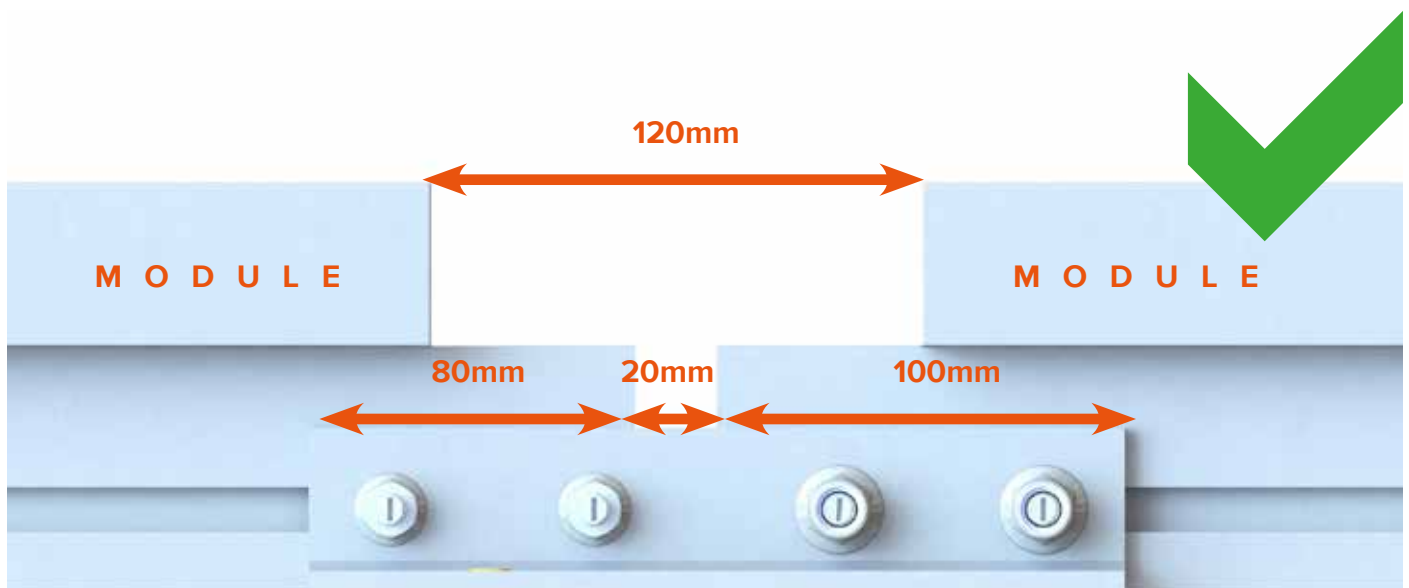


The Flexible Connector is identified by the orange circle.

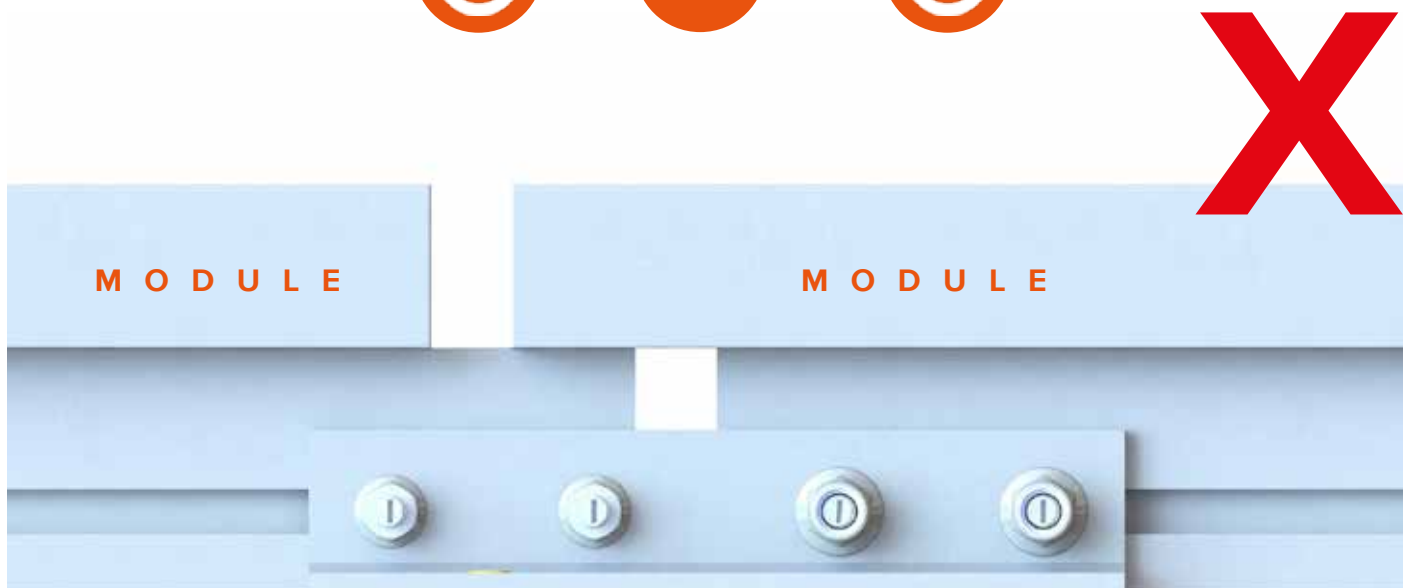
Leave a 20mm gap between the Mounting Rails.

Position the Flexible Connector centrally over the 20mm gap.

Flexible Connectors are ONLY used for 40x40, 40x60 & 40x80.

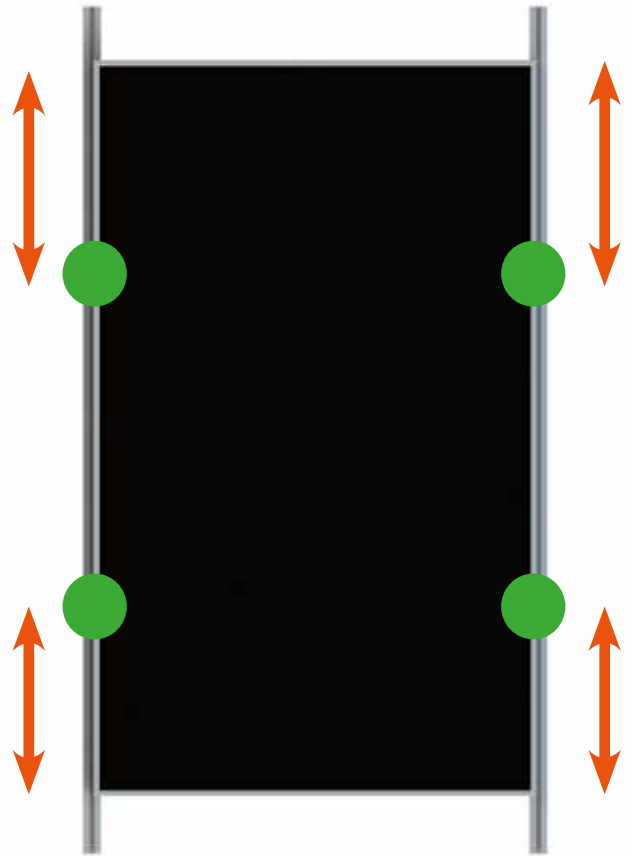


25Nm

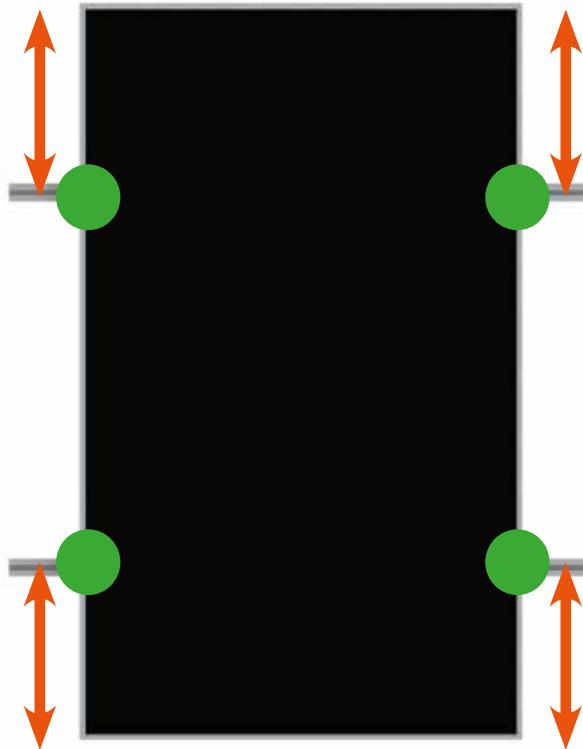


5

Module Clamp Positions



1 module =
4 clamped
positions



Check
with module
manufacturer for
clamping zones

6

Installing Corner Clamps

Corner Clamp

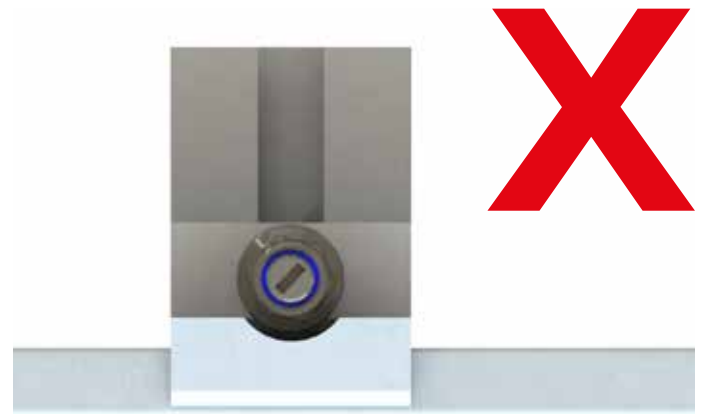
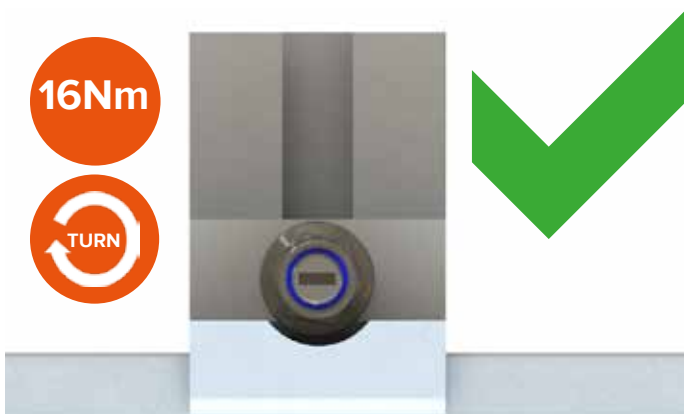
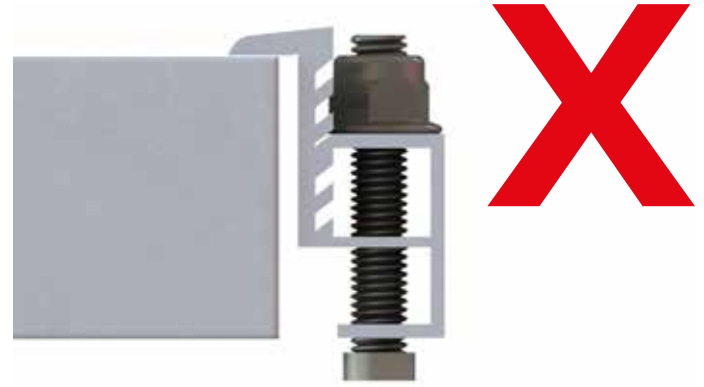
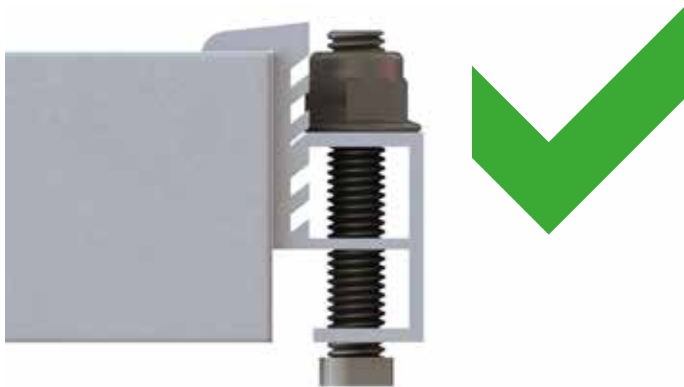
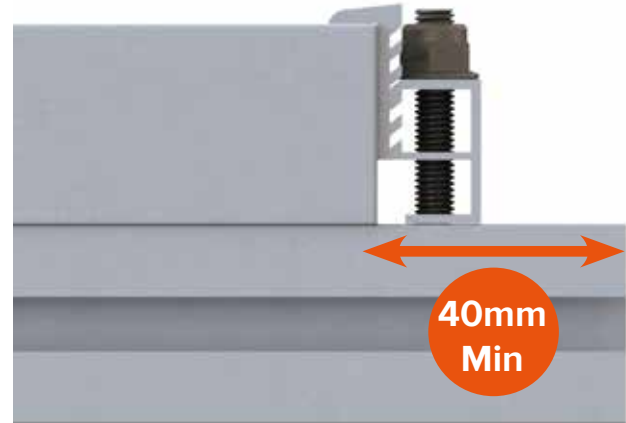
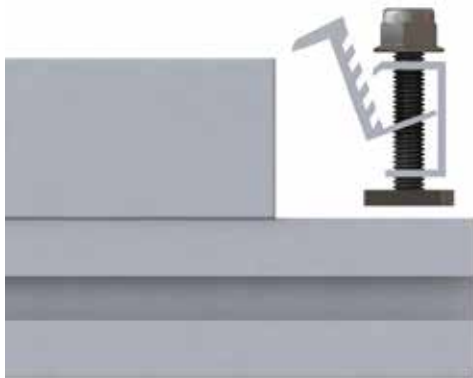
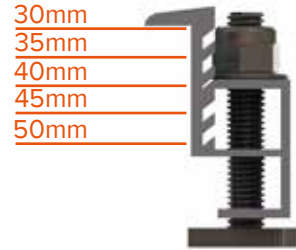


13mm Deep Socket



Torque Wrench

Adjust the height of the Corner Clamp to match the depth of the module by clicking it up or down.



7

Installing Middle Clamps

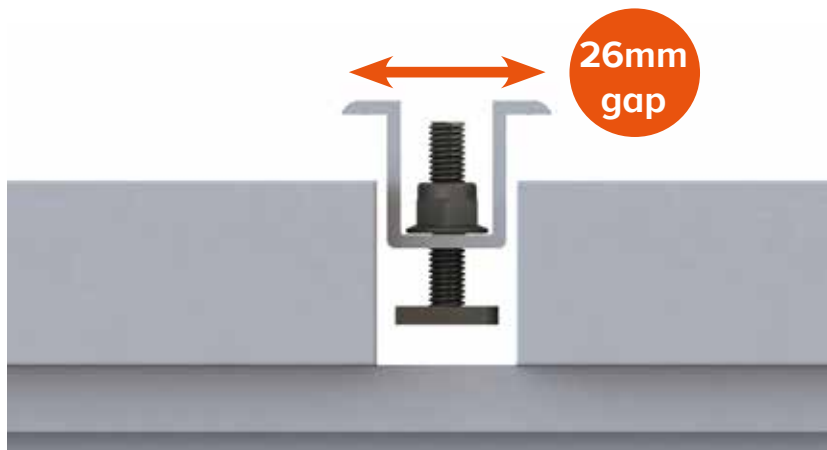
Middle Clamp



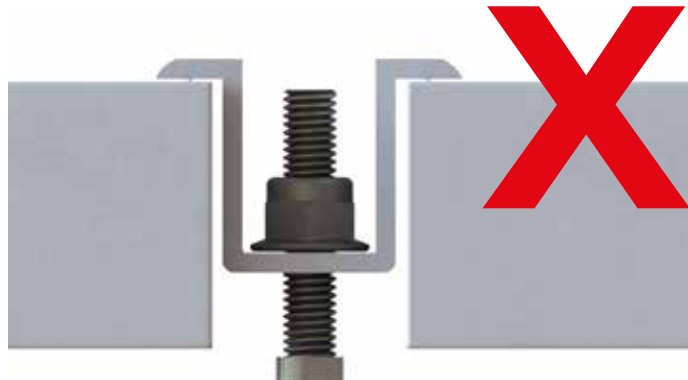
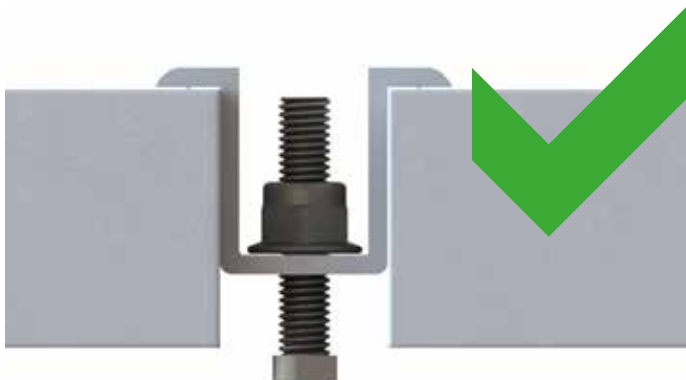
13mm Deep Socket



Torque Wrench



26mm gap



8

Do not use Impactors.

DO NOT use Impactors for installation with Sunfixings mounting systems, especially the module clamps otherwise this will lead to cold welding, shown in the image below.



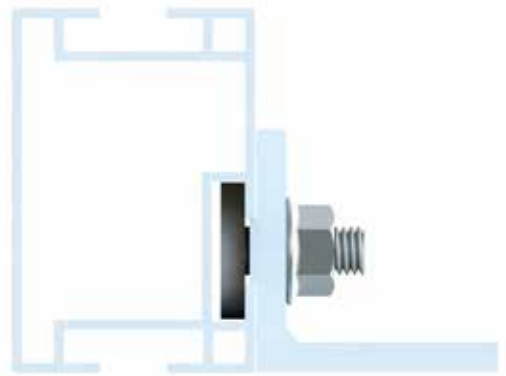
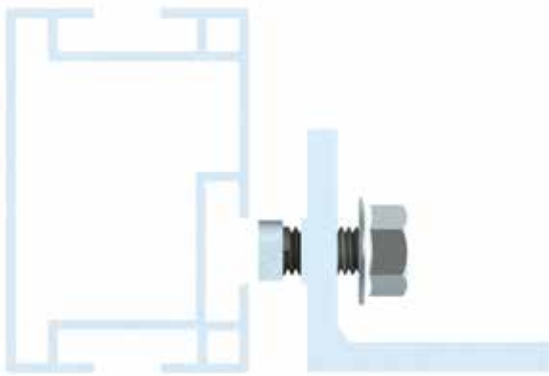
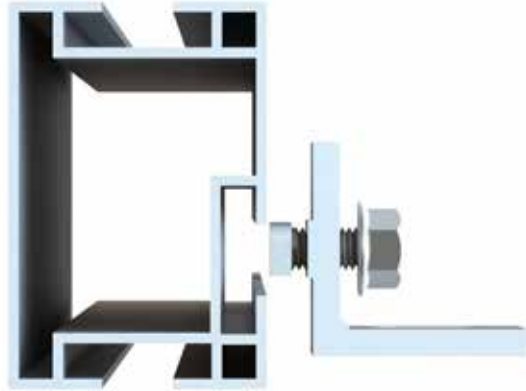
9

Installing the Cross Connector

Cross Connector



13mm Spanner



10

Installing Base & Module Mounting Rail (Cross Connection)

Cross Connection



13mm Spanner

