

ROW TYPE 1 (PILE DIAGRAM)
SHOW PILE POSITIONS

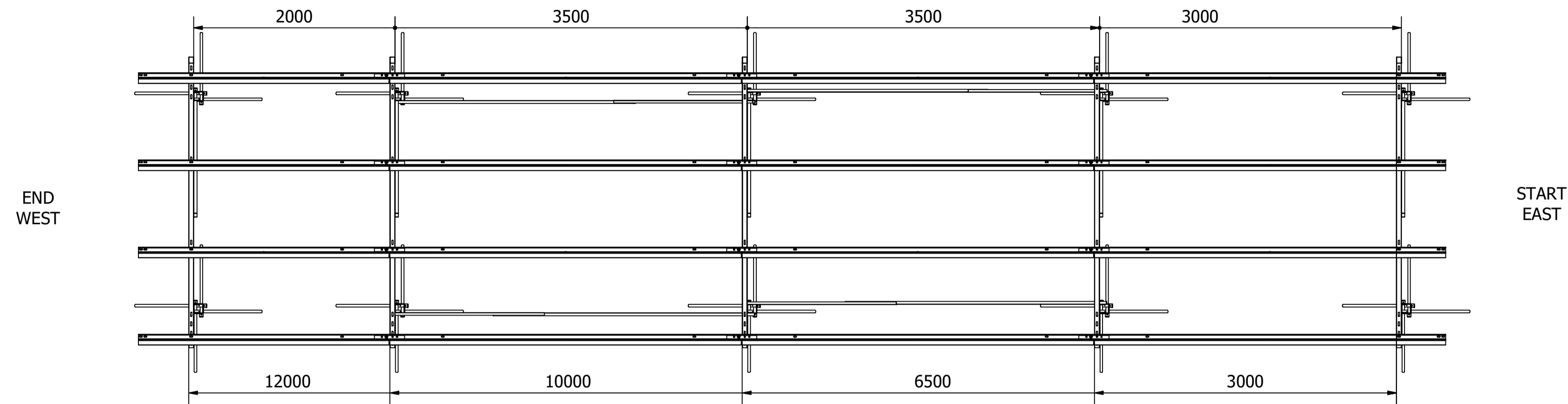
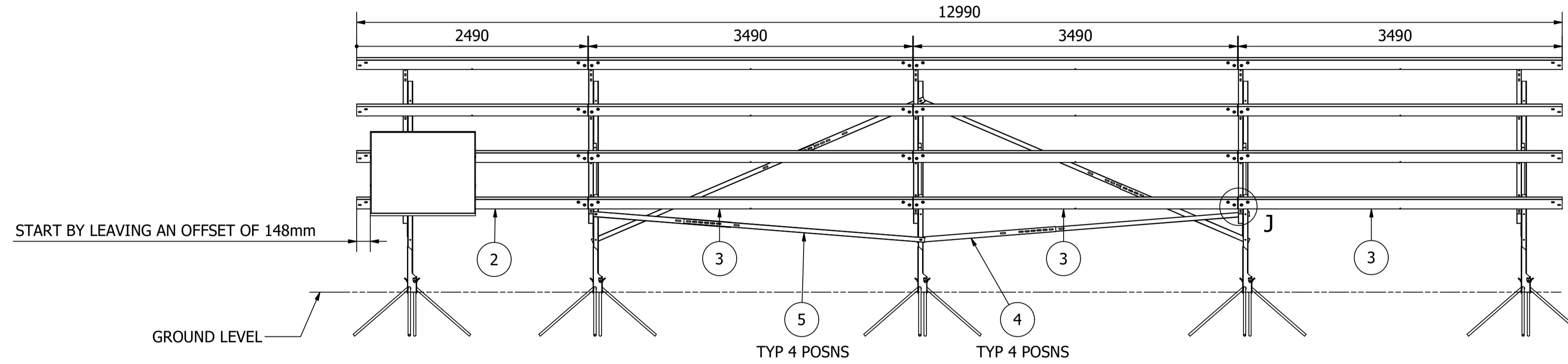
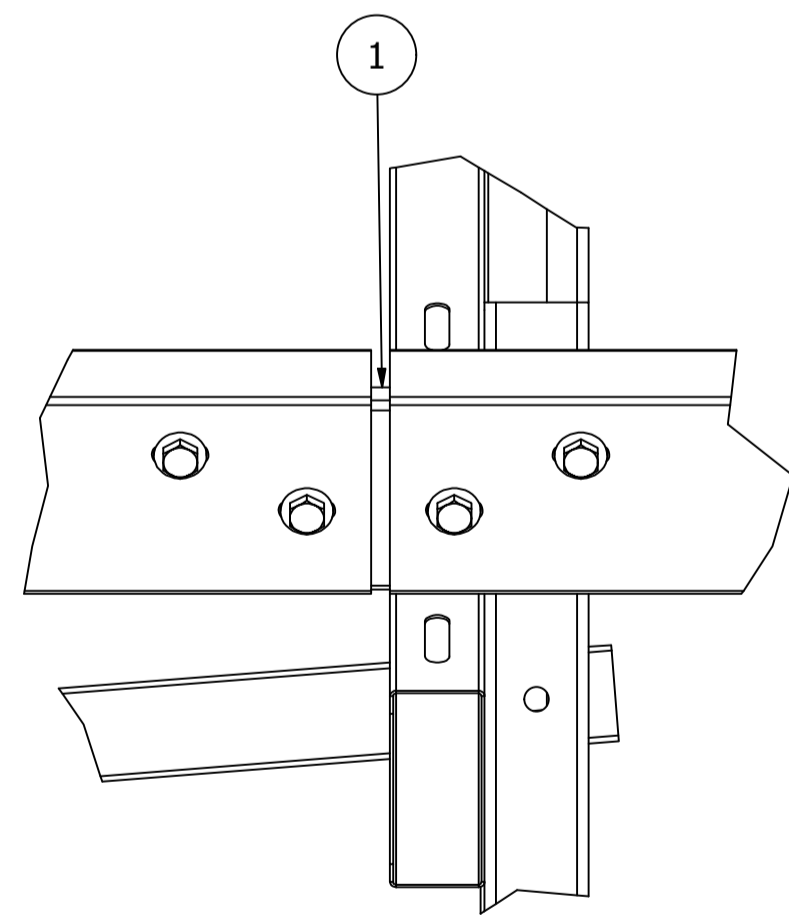


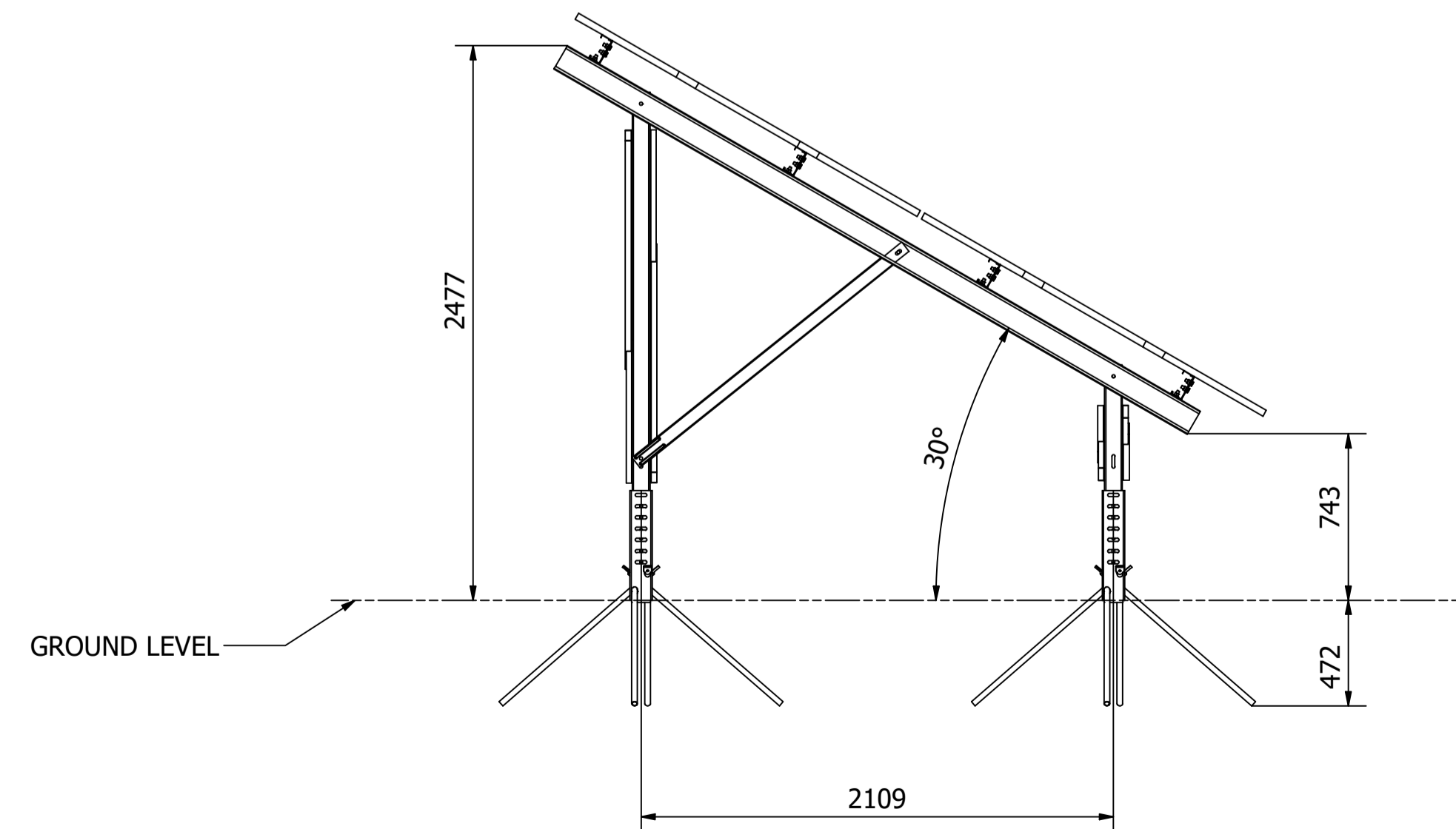
TABLE 1 ACCUMULATIVE FROM DATUM A UPRIGHT DIMENSION



ROW TYPE 1 (PURLIN DIAGRAM)
SHOW PURLIN POSITIONS



DETAIL VIEW J (1:4)



ROW TYPE 1 (SIDE VIEW)
NOT TO SCALE
SHOW UPRIGHT POSITIONS

IMPORTANT NOTE:

1. PANEL CLAMPING ZONE ADHERENCE IS THE RESPONSIBILITY OF INSTALLER
PURLIN POSITION CAN BE ADJUSTED TO SUIT PANEL MANUFACTURER'S CLAMPING ZONE
REFER TO THE PANEL MANUFACTURER SPECIFICATIONS FOR CLAMPING INFORMATION.

2. DRAWING DOES NOT INCLUDE BRACINGS, PLEASE REFER TO THE INSTALLATION GUIDE.

PARTS LIST			
ITEM	QTY	PART NUMBER	DESCRIPTION
1	12	0000-JRC-005	GM COMMON JOINER 115x50x1.6 300L
2	4	0627-PUR-2490	GM PURLIN 120x55x1.6 2490L
3	12	0627-PUR-3490	GM PURLIN 120x55x1.6 3490L
4	4	0000-RBR-001	External Wind Brace 1500x57x27x1.5
5	4	0000-RBR-005	Internal Wind Brace 2600x51x29x1.5

All Dimensions are in Millimeters For Drawing Requirements, Refer to W1-08.03.01 Design Manual		Debur and Break all Sharp Edges 1:3x	ECR No. N/A	Description of Change: First drawing, initial issue	Date of Change:	Drawn By: SYG	Checked By: SYG
Fabrication Structural Framework Designed I.A.W. EN 1991-1-4:2005+A1 Tolerances (U.O.S.): Linear ±2.0mm Angular ±1.0°		IF IN DOUBT, ASK!			Title: Modular Layout STA		
Manufacturing Tolerances (U.O.S.): Material Lengths ±1.0mm Holes & Slots (Sizes and positioning) ±0.5mm Angular ±1.0°			Material: AS PARTS Finish: AS PARTS Weight: 640.930 kg		Drawing No. 2x11 - Modular Layout		Project No. 191624
Design Code: EN 1990:2002+A1, EN 1991-1-4:2005+A1, Parts 1, 3 & 7 (Eurocodes)		Solarport Systems Ltd The Cove, Gore Cross Business Park Bridport Dorset DT6 3FH. t. +44 (0)1308 800 501 e. info@solarportsystems.com w. www.solarportsystems.com		Scale: 1:35		Sheet 1 of 1	