



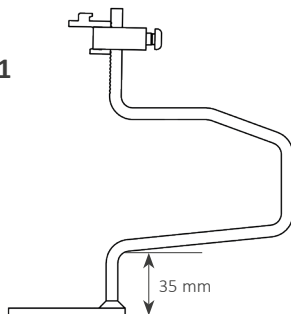
## Your advantages with our products

- » Economical and reliable Allrounder
- » Suitable for all common tile roofs / snow load zones
- » Optimal adaptability to the roof with 2 mm or 5 mm shims
- » Height of rail easily adjustable with pre-installed Clamp Combination (switch with Clamp Combination vertical, item no. 11105-05 for a vertical rail installation)
- » Installer-friendly “top-down” design: just place the rail onto the Clamp Combination. One screw fixates the rail and locks in the height at the same time.
- » Only one tool required: Torx TX40
- » Installation as single- or cross-rail system
- » Material: Stainless steel, welded
- » **SL A2-light:** horizontal and vertical direct mounting of rails through M10 slot; bolt (M10x25) and nut optionally available, item no. 93110-25 and item no. 93306-10

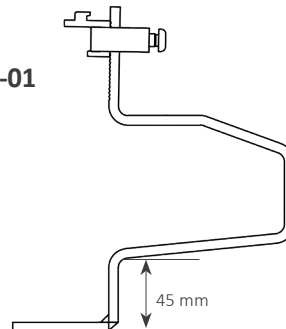


**SL A2-light**  
Highly cost-effective

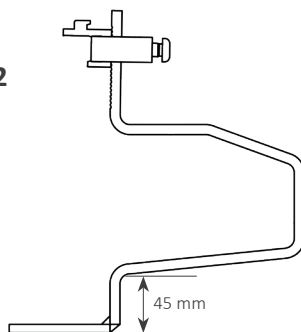
**SL A2-35**  
Item no. 13135-01  
35 mm height of batten



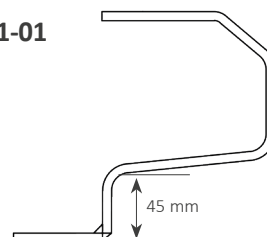
**SL A2-45**  
Item no. 13145-01  
45 mm height of batten



**SL A2-45 X**  
Item no. 13145-02  
45 mm height of batten, high snow load



**SL A2-light**  
Item no. 13101-01  
45 mm height of batten

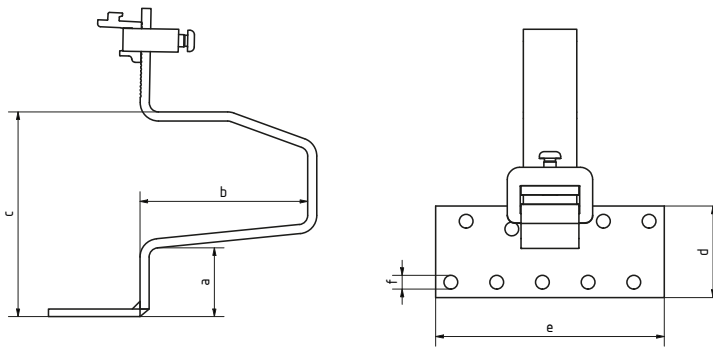


\*Our warranty conditions apply. They are available at [www.sl-rack.com](http://www.sl-rack.com)

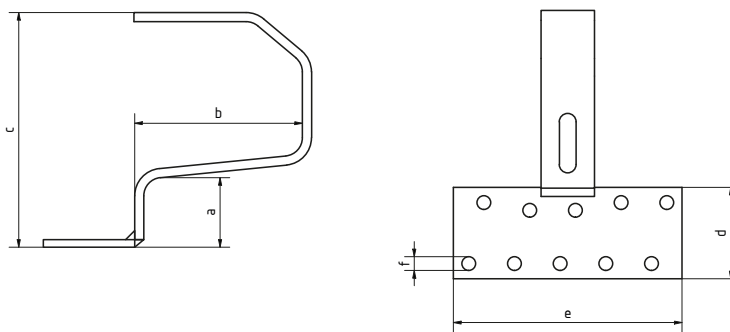
## Dimensions

	a	b	c	d	e	f
<b>SL A2-35</b>	35 mm	110 mm	124 mm	60 mm	150 mm	9 mm
<b>SL A2-45</b>	45 mm	110 mm	134 mm	60 mm	150 mm	9 mm
<b>SL A2-45 X</b>	45 mm	120 mm	143 mm	80 mm	180 mm	11 mm
<b>SL A2-light</b>	45 mm	116 mm	154 mm	60 mm	150 mm	9 mm

**SL A2:**



**SL A2-light:**



## Accessories



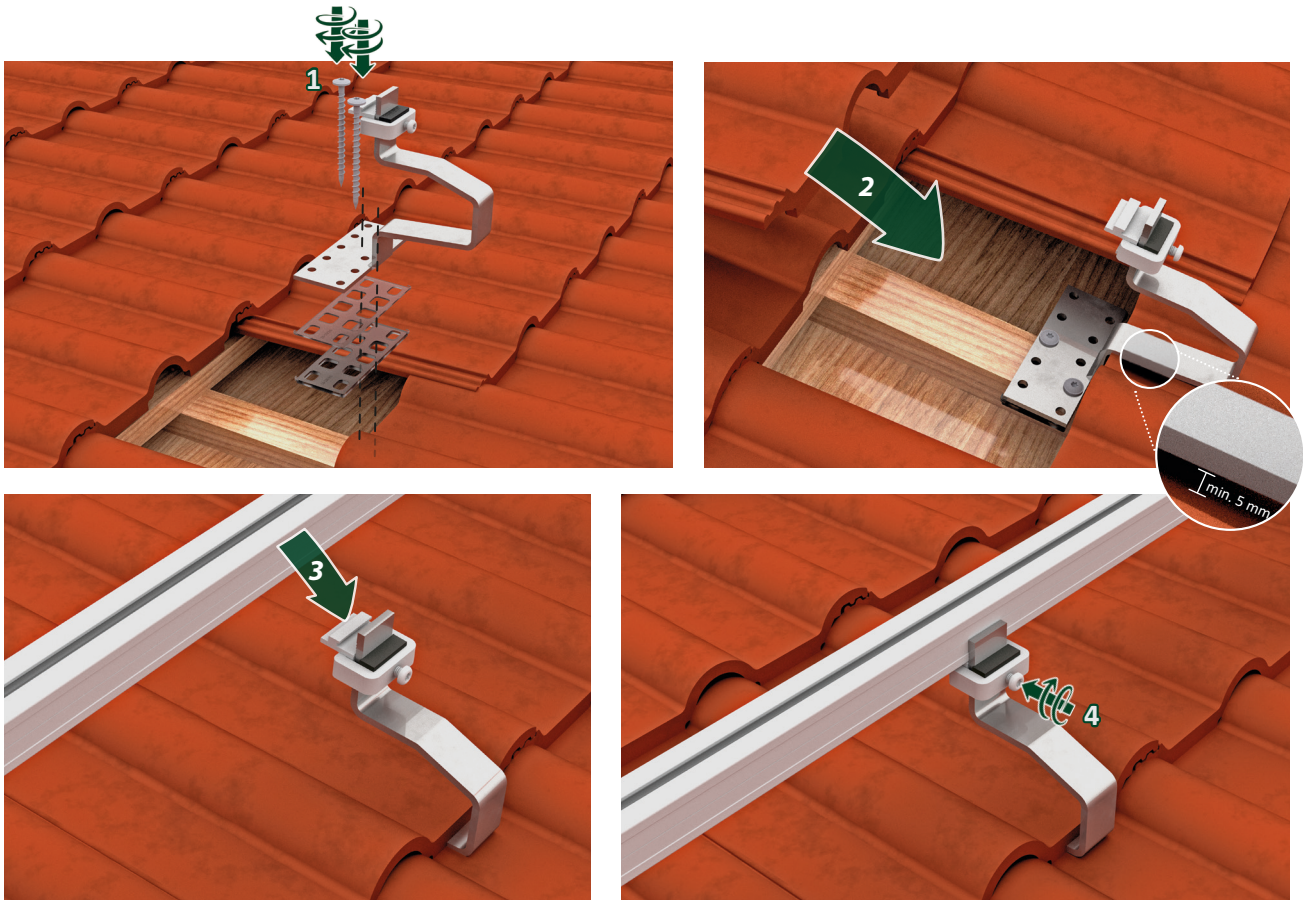
**Clamp Combination, vertical**  
Item no. 11105-05



**Shim for Roof Hooks 2 mm**  
Item no. 94701-02



**Shim for Roof Hooks 5 mm**  
Item no. 94701-05



## Installation

1. Remove tiles and fasten base plate to the rafter with a minimum of 2 wood screws (at least 1 screw per horizontal row of holes). If necessary, use shims to ensure a minimum distance of 5 mm between bracket and tile is adhered to. As usual, use an angle grinder to grind the top and bottom tile where the bracket exits.
2. Put the tiles back in place
3. Place the rail onto the Clamp Combination. If necessary adjust the height on the roof hook.
4. Fixate the rail by tightening the connection with 17 Nm - Done!

## Rafter Width

	Wood Screw Ø 6 mm	Wood Screw Ø 8 mm
SL A2-35	Min. 46 mm	Min. 58 mm
SL A2-45	Min. 46 mm	Min. 58 mm
SL A2-45 X	Min. 46 mm	Min. 58 mm
SL A2-light	Min. 46 mm	Min. 58 mm



## Technical Data

<b>Material</b>	Stainless steel (welded), Aluminum (Clamp Combination)
<b>Design Tool</b>	SL-Rack-Configurator <b>Solar.Pro.Tool</b> .
<b>Statik</b>	The structural analysis is carried out in accordance with the current country-specific standards (EN 1991, EC1 for Germany). Depending on snow loads, wind loads, or when utilizing large modules, it may be necessary to use more than the usual 4 fastening points. Make sure to observe the installation manual of the respective module manufacturer. The load-bearing capacity of the roof has not been evaluated by SL Rack.

**Your opinion is important to us!**

It is our top priority to make the installation process for you as quick, easy and efficient as possible. Please share your experiences, ideas or criticism with us, so we can continue to improve our products and develop new ones.



SL Rack **Feedback**  
[Provide Feedback >](#)



SL Rack **Website**  
[Check it out >](#)



SL Rack **YouTube**  
[Watch videos >](#)

Find us on



Subject to technical  
changes and misprints.  
Version 05/2022 V11