

Visit our website:  
[www.sl-rack.com](http://www.sl-rack.com)

Find us on



## Innovative Product Development



„Our racking systems have been developed since 1996 and are continuously optimized. Pre-assembled components that are quick and easy to install, prompt order processing, a reliable product supply and cost-effectiveness are our focus.

All our components follow a convenient top-down installation approach, ensuring a smooth and timesaving workflow. SL Rack systems are installer-friendly, intuitive and standardized, while still having the flexibility to adapt to each respective project site.“

Sincerely,

*Ludwig Schletter*

## SL Rack in numbers:



**25**..... Years of experience

**22**..... GW installed worldwide

**15**..... Product specialists are happy to support you

**EU**..... Almost exclusively manufactured in Germany and Europe

**100%** ..... Aluminum and stainless steel- **extremely durable**

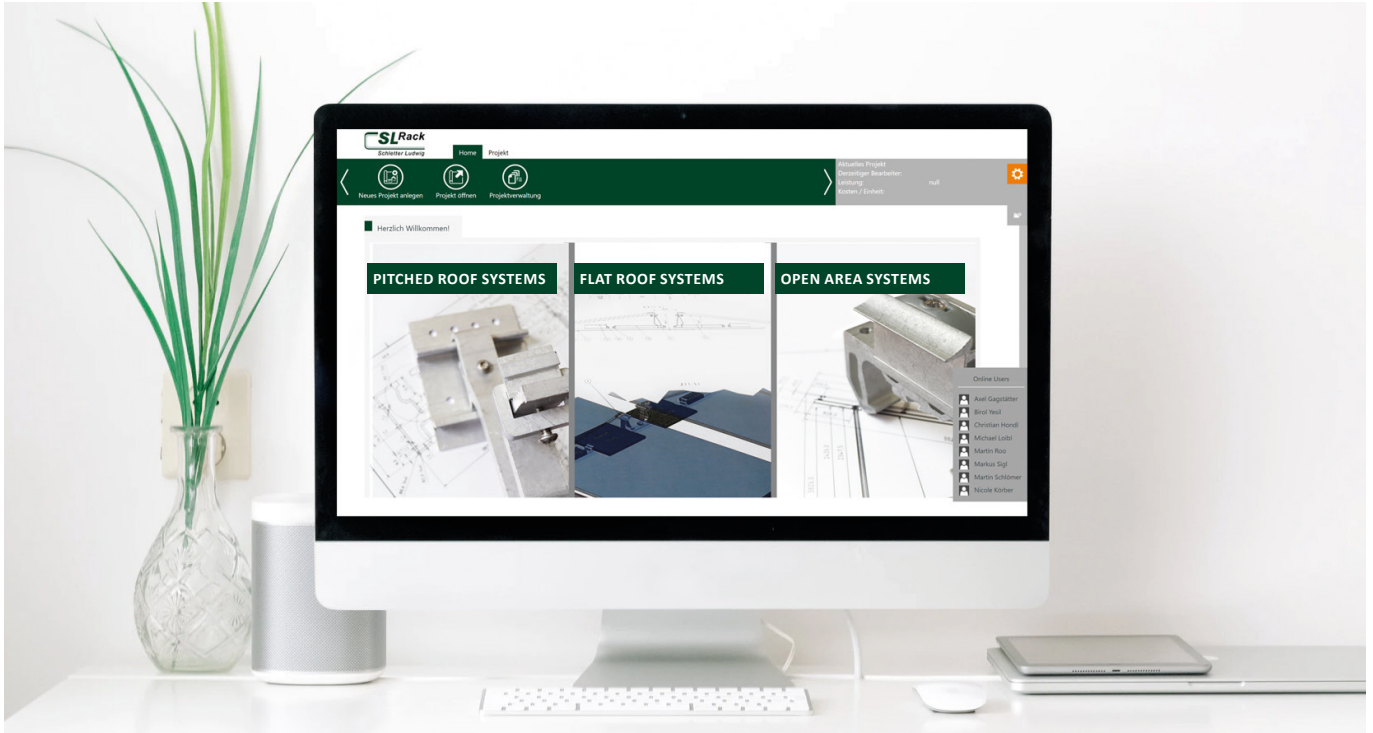


Visit our  
website:  
[www.sl-rack.com](http://www.sl-rack.com)



Check out our  
YouTube-channel:  
[Installation videos >](#)

\*Our warranty conditions apply. They are available at [www.sl-rack.com](http://www.sl-rack.com)



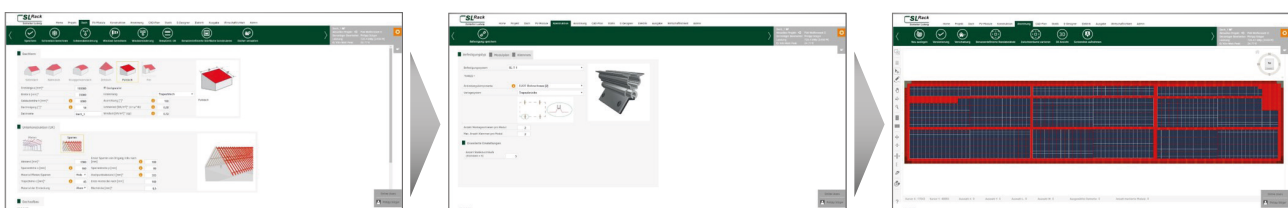
## Welcome to our **Solar.Pro.Tool.**

Solar.Pro.Tool.



Design your rooftop projects quickly and with ease using our **Solar.Pro.Tool.**, available on our website.

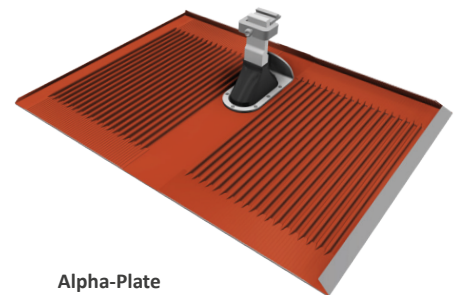
- » For all pitched and flat roofs
- » Finish your design in 10 simple steps
- » In 2D or 3D (PDF, DXF, DWG)
- » Building authority certified
- » Precise ballast calculations for any type of flat roof
- » Drawings and bill of material



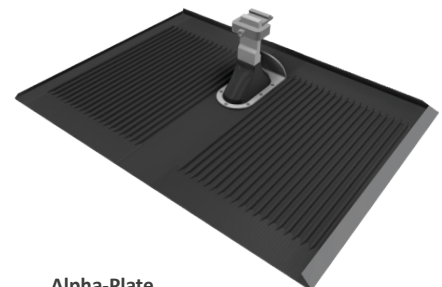

**UNIQUE IN THE MARKET**

## Alpha-Plate

- » Universal roof replacement panel for almost any type of tile
- » Up to 60 % reduction of roof attachments
- » Suitable for high snow loads (up to 1.500 kg)
- » Optimized warehousing
- » Mechanical cutting unnecessary; no more broken tiles!
- » Min. width of rafter only 36 mm (when using M6 screws)
- » Height of rail easily adjustable with pre-installed Clamp Combination (switch with Clamp Combination vertical, item no. 11105-05 for a vertical rail installation)
- » Installer-friendly “top-down” design: just place the rail onto the Clamp Combination. One screw fixates the rail and locks in the height at the same time.
- » Only one tool required: Torx TX40
- » Sealed with a riveted, UV-resistant EPDM rubber sleeve and raised panel sides
- » Wind calmed zones are created in the corrugated depressions; this allows the water to flow straight downwards
- » Integrated snow- and ice deflector
- » Installation as single- or cross-rail system
- » Material: Rolled aluminum sheet metal



**Alpha-Plate**  
**Colour: Brick Red RAL 8004**  
 Item no. 11500-00



**Alpha-Plate**  
**Colour: Anthracite RAL 7016**  
 Item no. 11500-01

### VARIANTS

<b>Item no. 11500-00</b>	EAN 4262355110971	Alpha-Plate Colour: Brick Red RAL 8004	5 pcs. per PU
<b>Item no. 11500-01</b>	EAN 4262355110988	Alpha-Platte Colour: Anthracite RAL 7016	5 pcs. per PU

## Accessories

» **Alpha-Flex 120**

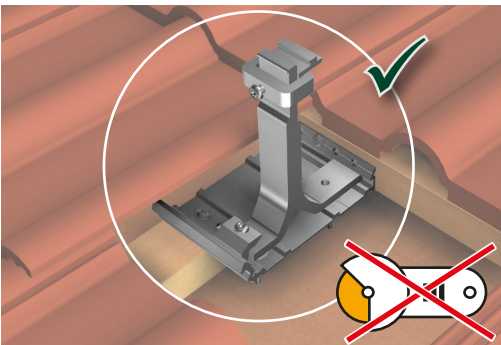
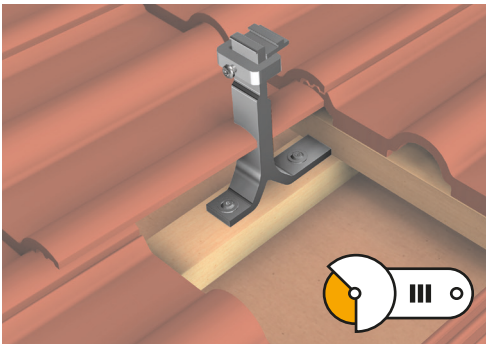
Item no. 11512-00

- Mounting plate for console
- Lateral adjustability
- Grounding lug can be attached
- Incl. Alpha-Flex-Console Mounting Clamp

» **Alpha-Flex 2000**

Item no. 11501-2000

- Profile can span the width of up to 2 rafters (required in case an appropriate attachment for the console or mounting plate is not available)
- Better load distribution if multiple consoles are utilized
- Lateral adjustability
- Grounding lug can be attached



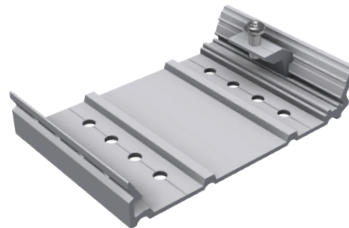
**Vertical Clamp Combination**

Item no. 11105-05



**Optional Potential Equalization Clamp for SL Alu and Alpha-Flex**

Item no. 11101-20



**Mounting Plate for Console Alpha-Flex 120 incl. Alpha-Flex-Console Mounting Clamp**

Item no. 11512-00



**Optional Alpha-Flex-Console Mounting Clamp**

Item no. 11501-02



**Rafter Spanning Profile Alpha-Flex 2000**

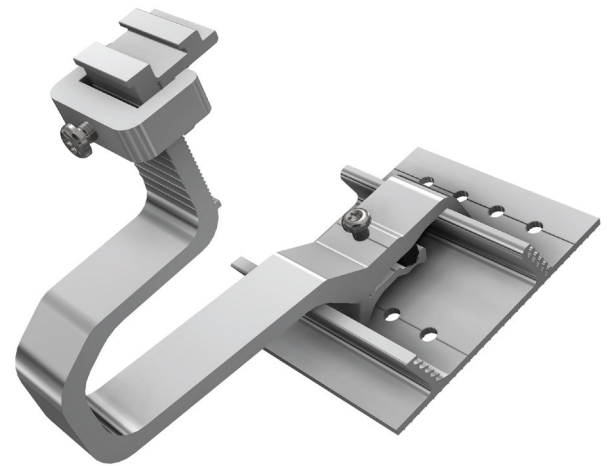
Item no. 11501-2000

### ACCESSORIES

<b>Item no. 11512-00</b>	EAN 4262355110346	Alpha-Flex 120, length 120 mm, incl. Alpha-Flex-Console Mounting Clamp	20 pcs. per PU
<b>Item no. 11501-2000</b>	EAN 4262355110353	Alpha-Flex 2000, length 2000 mm	20 pcs. per PU
<b>Item no. 11105-05</b>	EAN 4262355110339	Clamp Combination, vertical	100 pcs. per PU
<b>Item no. 11501-02</b>	EAN 4262355111428	Alpha-Flex-Console Mounting Clamp	200 pcs. per PU
<b>Item no. 11101-20</b>	EAN 4262355111411	Potential Equalization Clamp for SL Alu and Alpha-Flex	200 pcs. per PU

# Roof hook SL Alu-Vario

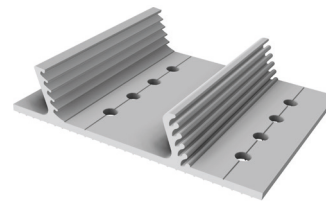
- » Suitable for all common tile roofs / snow load zone 4
- » Optimal adaptability to the roof: no shims necessary!
- » Simple height adjustment of the foot from 35 mm - 55 mm or 45 mm - 65 mm, bracket just needs to be hooked in at the appropriate position and fixated
- » Height of rail easily adjustable with pre-installed Clamp Combination (switch with Clamp Combination vertical, item no. 11105-05 for a vertical rail installation)
- » Lateral flexibility of the base plate allows for optimal positioning of the bracket when exiting the tiles
- » Installer-friendly "top-down" design: just place the rail onto the Clamp Combination. One screw fixates the rail and locks in the height at the same time
- » Only one tool required: Torx TX40
- » Due to larger hole spacing the use of M6 screws is possible
- » Application even on narrow rafters, e.g. nail trusses with a min. width of 36 mm (provided the use of M6 screws)
- » Installation as single- or cross-rail system
- » 100% aluminum; simplifies transportation and installation
- » Advantage of aluminum over stainless steel: The thickness of the material can be adapted to the absorption of the acting forces
- » Grounding lug can be attached
- » **Compatible with Rafter Spanning Profile SL Alu-Vario:**
  - Allows for max. lateral adjustments and the positioning of roof hooks between 2 rafters



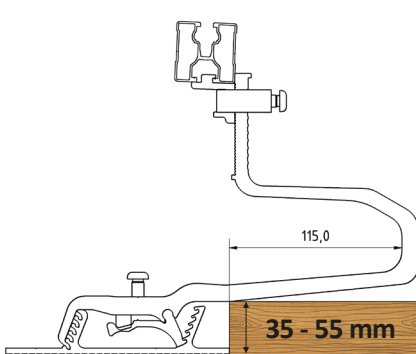
**Optional Vertical Clamp Combination**  
Item no. 11105-05



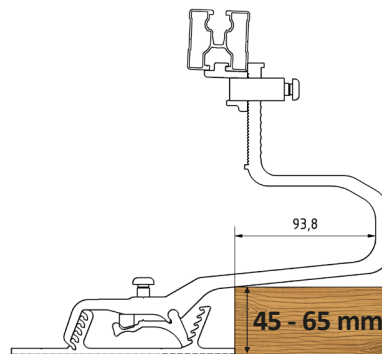
**Optional Potential Equalization Clamp for SL Alu and Alpha-Flex**  
Item no. 11101-20



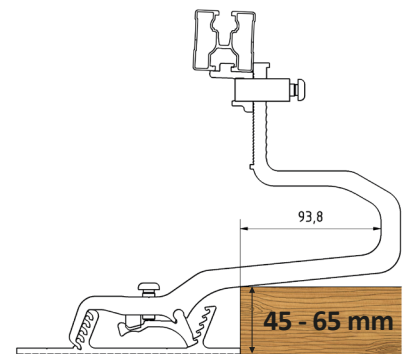
**Optional Rafter Spanning Profile**  
Item no. 11101-2000



SL Alu-35 Vario



SL Alu-45 Vario



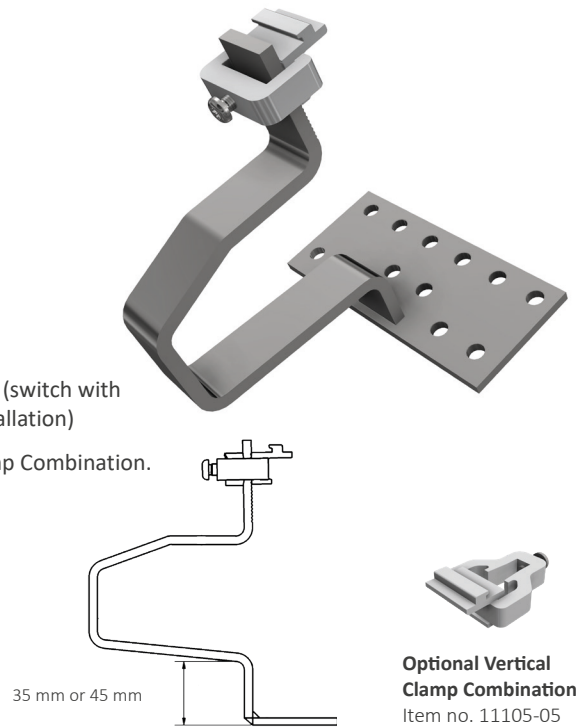
SL Alu-45 X Vario

## VARIANTS

<b>Item no. 11135-01</b>	EAN 4262355110292	SL Alu-35 Vario for 35 mm - 55 mm height of batten	10 pcs. per PU
<b>Item no. 11145-01</b>	EAN 4262355110308	SL Alu-45 Vario for 45 mm - 65 mm height of batten	10 pcs. per PU
<b>Item no. 11145-02</b>	EAN 4262355110315	SL Alu-45 X Vario for 45 mm - 65 mm height of batten, high snow load	10 pcs. per PU
<b>Item no. 11101-2000</b>	EAN 4262355110322	Rafter Spanning Profile SL Alu-Vario, length 2000 mm	20 pcs. per PU
<b>Item no. 11105-05</b>	EAN 4262355110339	Clamp Combination, vertical	100 pcs. per PU
<b>Item no. 11101-20</b>	EAN 4262355111411	Potential Equalization Clamp for SL Alu and Alpha-Flex	200 pcs. per PU

## Roof Hook SL A2

- » Economical and reliable Allrounder
- » Suitable for all common tile roofs / snow load zone 4
- » Optimal adaptability to the roof with 2 mm or 5 mm shims
- » Height of rail easily adjustable with pre-installed Clamp Combination (switch with Clamp Combination vertical, item no. 11105-05 for a vertical rail installation)
- » Installer-friendly “top-down” design: just place the rail onto the Clamp Combination. One screw fixates the rail and locks in the height at the same time.
- » Only one tool required: Torx TX40
- » Installation as single- or cross-rail system
- » Material: Stainless steel, welded

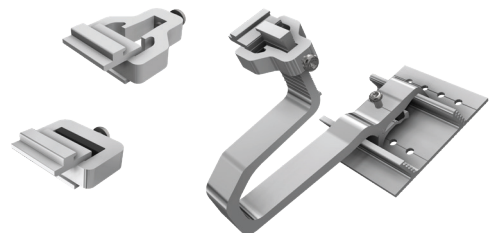


### VARIANTS

Item no. 13135-01	EAN 4262355110926	SL A2-35 for 35 mm height of batten	20 pcs. per PU
Item no. 13145-01	EAN 4262355110933	SL A2-45 for 45 mm height of batten	20 pcs. per PU
Item no. 13145-02	EAN 4262355110940	SL A2-45 X for 45 mm height of batten, high snow load	10 pcs. per PU
Item no. 11105-05	EAN 4262355110339	Clamp Combination, vertical	100 pcs. per PU

## Clamp Combinations

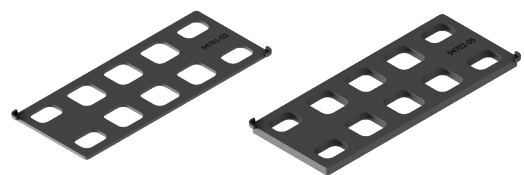
- » Connects to most roof hooks and Alpha-Plate
- » RAIL can be attached directly to the roof hooks
- » Quick and easy height adjustment for uneven roofs
- » Time-saving installation; only one tool required: Torx TX40
- » Installation as single or cross-rail system
- » Ensures a continuous low-resistance connection for equipotential bonding



### VARIANTS

Item no. 11105-05	EAN 4262355110339	Clamp Combination, vertical	100 pcs. per PU
Item no. 13101-05	EAN 4262355110919	Clamp Combination, horizontal	100 pcs. per PU

## Shims for Roof Hooks

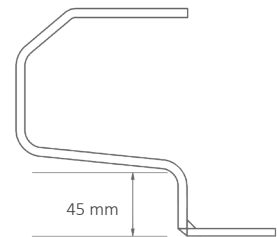


### VARIANTS

Item no. 94701-02	EAN 4262355110278	Shim: 2 mm, 150 x 60 mm	100 pcs. per PU
Item no. 94702-05	EAN 4262355110285	Shim: 5 mm, 150 x 60 mm	50 pcs. per PU

## Roof Hook SL A2-light

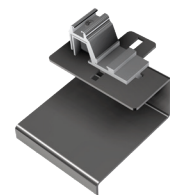
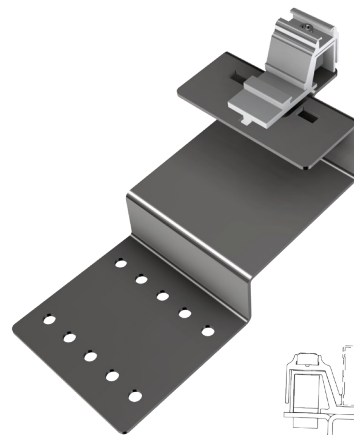
- » Highly cost-effective
- » Simple and proven design
- » Suitable for all common tile roofs
- » Optimal adaptability to the roof with 2 mm or 5 mm shims
- » Horizontal and vertical direct mounting of rails through M10 slot
- » Bolt (M10x25) and nut optionally available, item no. 93110-25 and item no. 93306-10
- » Installation as single- or cross-rail system
- » Material: Stainless steel, welded



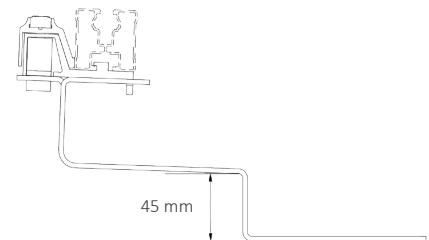
Item no. 13101-01	EAN 4262355110957	SL A2-light 45 mm height of batten	20 pcs. per PU
-------------------	-------------------	------------------------------------	----------------

## Roof Hook SL A2-Tegalit

- » Cleverly designed stainless steel roof hook without a weld
- » Suitable for all common Tegalit roofs
- » Pre-assembled Cross Connector allows for horizontal and vertical installation
- » Mounting plate offers lateral adjustment
- » Installer-friendly “top-down” design: Just place the rail onto the Cross Connector and tighten the screw to fixate the rail
- » Only one tool required: Torx T40
- » Installation as single- or cross-rail system



Vertical option

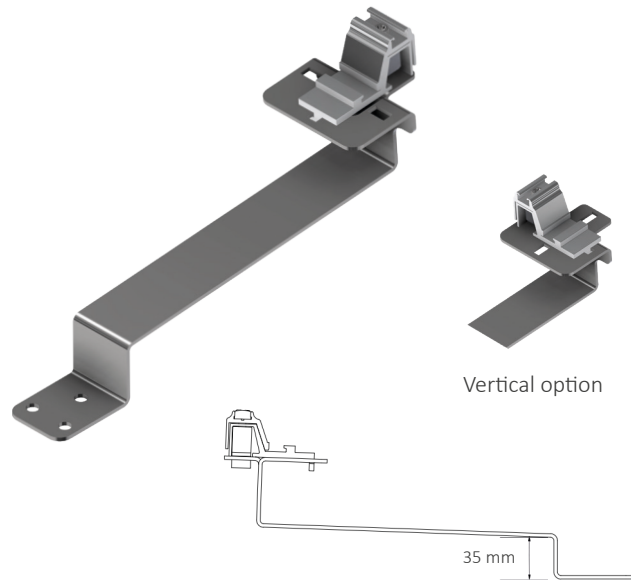


Item no. 13105-00	EAN 4262355110964	SL A2-Tegalit	10 pcs. per PU
-------------------	-------------------	---------------	----------------



## Roof Hook SL A2-Beavertail

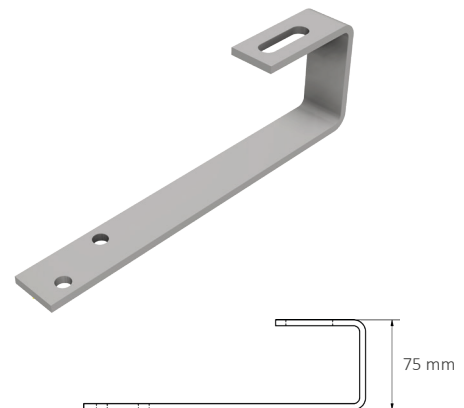
- » Cleverly designed stainless steel roof hook without a weld
- » Suitable for all common Beavertail roofs
- » Pre-assembled Cross Connector allows for horizontal and vertical installation
- » Mounting plate offers lateral adjustment
- » Installer-friendly “top-down” design: Just place the rail onto the Cross Connector and tighten the screw to fixate the rail
- » Only one tool required: Torx T40
- » Installation as single- or cross-rail system



Item no. 13106-00	EAN 4262355110407	SL A2-Beavertail	10 pcs. per PU
-------------------	-------------------	------------------	----------------

## Roof Hook SL A2-Slate

- » Stainless steel roof hook without a weld
- » Works with roof replacement plates
- » Horizontal and vertical direct mounting of rails through M10 slot
- » Bolt (M10x25) and nut optionally available, items no. 93110-25 and 93306-10
- » Installation as single- or cross-rail system



Item no. 13107-00	EAN 4262355110391	SL A2-Slate	20 pcs. per PU
-------------------	-------------------	-------------	----------------

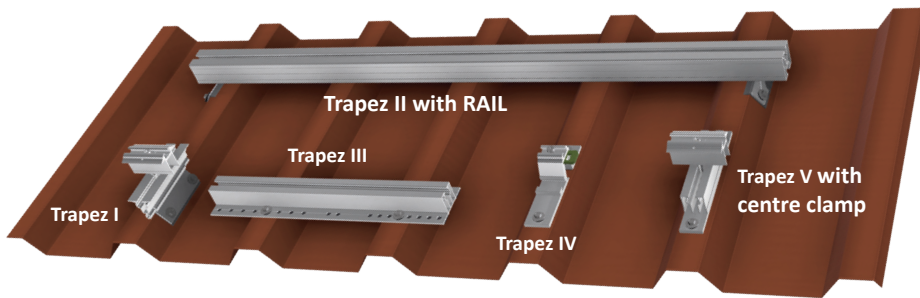
## Slate Roof Replacement Plate

- » Suitable for roof-parallel applications as well as elevated systems in conjunction with hangar bolts
- » Works for all common slate, bitumen, fiber cement and shingle roofs
- » Direct attachment to the roof substructure ensures a solid connection ([Page 18](#))



### VARIANTS

Item no. 13501-270	EAN 4262355110360	Slate Roof Replacement Plate 200 x 270 mm	50 pcs. per PU
Item no. 13501-370	EAN 4262355110377	Slate Roof Replacement Plate 200 x 370 mm	50 pcs. per PU
Item no. 13501-580	EAN 4262355110384	Slate Roof Replacement Plate 200 x 580 mm	25 pcs. per PU



## Features Trapez I - V:

- » Pre-installed EPDM rubber is UV-resistant and ensures water-sealing of the attachment
- » Self-tapping screws incl. EPDM sealing washer available separately
- » Optional: Potential Equalization Plate

## Trapez I

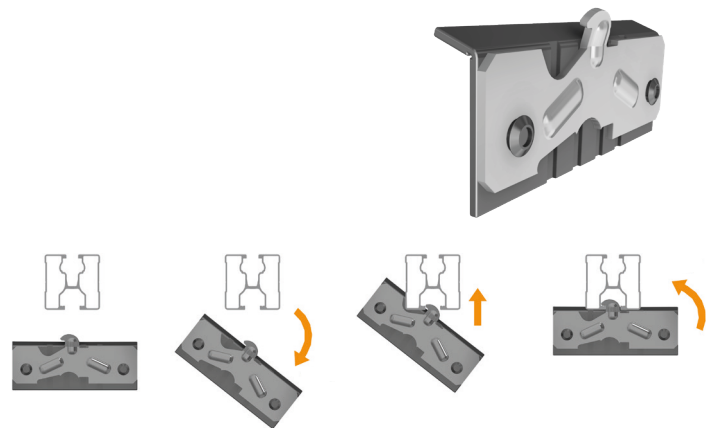
- » Very cost-effective and material-saving railless option for horizontal module installation
- » Suitable for almost any trapezoidal roof
- » Material: Aluminium



Item no. 11201-01	EAN 4262355110414	Trapez I	100 pcs. per PU
-------------------	-------------------	----------	-----------------

## Trapez II

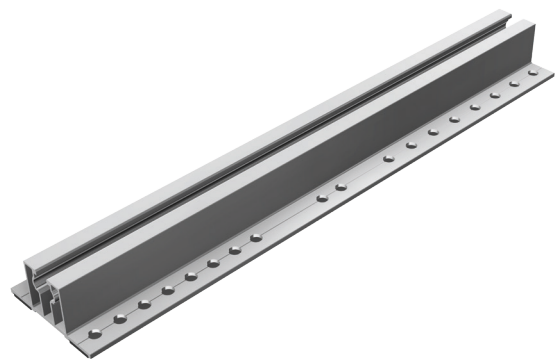
- » Simplest attachment for a railbased system
- » Suitable for almost any trapezoidal roof
- » Fits bottom channel of any RAIL
- » Insert into the bottom rail channel at a 90° angle, then twist
- » Always mount in pairs facing each other
- » Material: Stainless steel



Item no. 13202-01	EAN 4262355110421	Trapez II	200 pcs. per PU
-------------------	-------------------	-----------	-----------------

## Trapez III

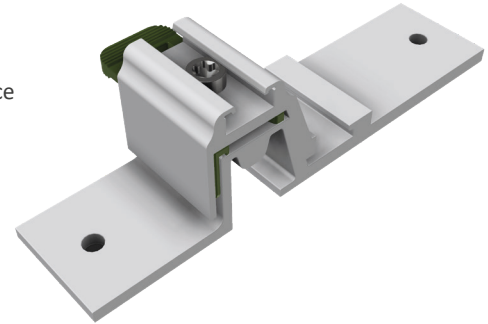
- » Convenient and time-saving installation from the top
- » 370 mm long rail can span over several ribs
- » Installation on top of the rib ensures best accessibility and greatest possible distance from the water-bearing layer
- » Vertical module mounting; horizontal mounting requires the use of Support Plates (item no. 91701-00)
- » Optional: Use Cross Connector to install additional RAILS
- » Material: Aluminium



Item no. 11205-03	EAN 4262355110438	Trapez III	50 pcs. per PU
-------------------	-------------------	------------	----------------

## Trapez IV

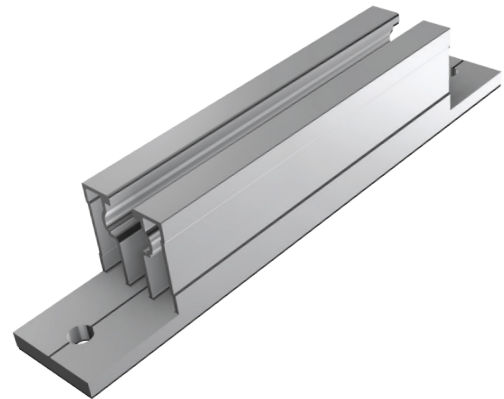
- » Convenient and time-saving installation from the top
- » Integrated plastic spacer offers the option of a sliding connection of the rail to accommodate thermal expansion
- » Installation on top of the rib ensures best accessibility and greatest possible distance from the water-bearing layer
- » Min. 2 attachments per RAIL (alignment of the profile clamps towards the eave)
- » Due to the increased contact area, higher forces can be transferred via the trapezoidal sheet
- » Material: Aluminium



Item no. <b>91203-00</b>	EAN 4262355110445	Trapez IV	100 pcs. per PU
--------------------------	-------------------	-----------	-----------------

## Trapez V

- » Convenient and time-saving installation from the top
- » Short rail with integrated rail channel for horizontal module installation
- » Vertical modul mounting possible through additional use of Support Plates (item no. 91701-000) or Cross Connectors and RAILS
- » Installation on top of the rib ensures best accessibility and greatest possible distance from the water-bearing layer
- » Due to the increased contact area, higher forces can be transferred via the trapezoidal sheet
- » Material: Aluminium



Item no. <b>11202-01</b>	EAN 4262355110452	Trapez V	100 pcs. per PU
--------------------------	-------------------	----------	-----------------

## Potential Equalization Plate

- » Transfers the potential of the system/modules to the trapezoidal roof (provided that the trapezoidal sheet metal roof is already grounded)
- » Works with Trapez I - V



Item no. 93201-00	EAN 4262355110261	Potential Equalization Plate	100 pcs. per PU
-------------------	-------------------	------------------------------	-----------------

## Self-Tapping Screws for Trapezoidal Sheet Metal Roofs

- » **Self-tapping screw 5.5 x 20-25, sealing washer Ø 16 mm, Item no. 93155-25**  
Drilling capacity steel..... 0,5 mm - 2,0 mm  
Drilling capacity aluminum..... 0,5 mm - 2,0 mm
- » **Self-tapping screw 6.0 x 25-25, sealing washer Ø 16 mm, Item no. 93160-25**  
Drilling capacity steel..... 0,4 mm - 2,0 mm  
Drilling capacity aluminum..... 0,5 mm - 2,0 mm



### VARIANTS

Item no. 93155-25	EAN 4262355110995	Self-tapping screw 5.5 x 20-25, sealing washer Ø 16 mm for Trapez I - V	100 pcs. per PU
Item no. 93160-25	EAN 4262355111008	Self-tapping screw 6.0 x 25-25, sealing washer Ø 16 mm for Trapez I - V	100 pcs. per PU

## Self-Drilling Screw

- » **Self-drilling screw 5.5 x 25, sealing washer Ø 16 mm, Item no. 93155-26**  
Drilling capacity steel..... 0,4 mm - 1,5 mm  
Drilling capacity aluminum..... 0,4 mm - 5,0 mm



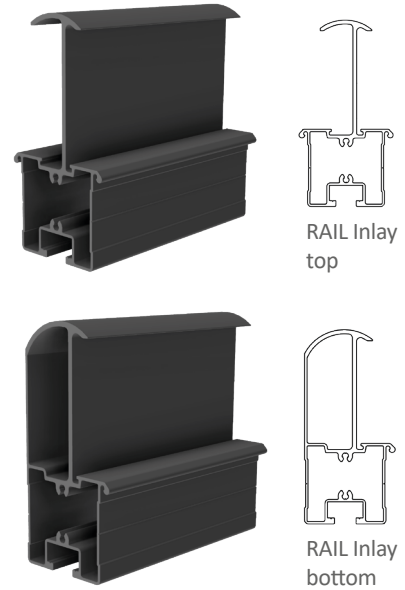
Beware of metal swarf on the roof!



Item no. 93155-26	EAN 4262355111015	Self-drilling screw 5.5 x 25, sealing washer Ø 16 mm	100 pcs. per PU
-------------------	-------------------	--	-----------------

## Insertion System RAIL Inlay

- » Time-saving and cost-efficient installation without clamps
- » Black anodized for an elegant appearance
- » Only one-size rail: Inserts adjust to the various module heights (30 mm - 50 mm)
- » Optimized warehousing due to reduced number of components
- » Compatible with all SL Rack roof hooks and trapezoidal sheet metal connections
- » Vertical or horizontal module installation
- » Suitable for roof and façade systems
- » Available for specific module heights as a custom solution

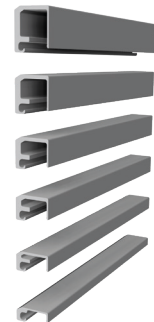


### VARIANTS

Item no. 86501-6000	EAN 4262355110216	RAIL Inlay top, 6000 mm	80 pcs. per PU
Item no. 86502-6000	EAN 4262355110223	RAIL Inlay bottom, 6000 mm	80 pcs. per PU

## Inserts

- » Inserts adjust RAIL Inlay to the respective module heights
- » The heights of the various inserts are matched to the module heights established on the PV market

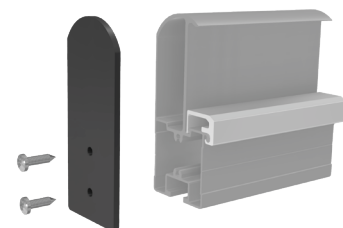


### VARIANTS

Item no. 81501-30	EAN 4262355110209	Insert for module height 30 mm - 32 mm	200 pcs. per PU
Item no. 81501-33	EAN 4262355110193	Insert for module height 33 mm - 35 mm	200 pcs. per PU
Item no. 81501-36	EAN 4262355110186	Insert for module height 36 mm - 38 mm	200 pcs. per PU
Item no. 81501-39	EAN 4262355110179	Insert for module height 39 mm - 41 mm	200 pcs. per PU
Item no. 81501-42	EAN 4262355110162	Insert for module height 42 mm - 44 mm	200 pcs. per PU
Item no. 81501-45	EAN 4262355110155	Insert for module height 45 mm - 47 mm	200 pcs. per PU

## End Cap RAIL Inlay

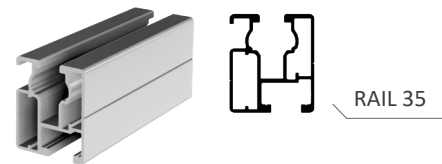
- » For RAIL Inlay top and bottom
- » Incl. 2 screws



Item no. 86525-00	EAN 4262355110148	End cap RAIL Inlay, black	500 pcs. per PU
-------------------	-------------------	---------------------------	-----------------

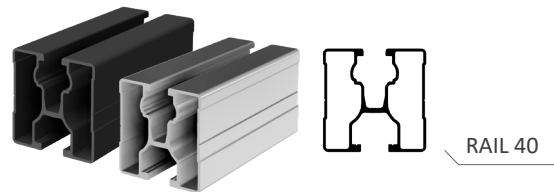
## Module Mounting Profiles RAIL 35 - RAIL 120

- » Deep top rail channel accommodates module clamps for frame heights 30 mm - 50 mm
- » Bottom rail channel is optimized to fit all SL Rack rooftop attachments
- » Compatible with popular racking systems on the market
- » Same weight/static values as comparable products
- » Depending on the rail height, different spans are possible (RAIL 60 and RAIL 120 achieve the largest spacing for roof connections)
- » RAIL 120 ensures easy access to plugs and better rear ventilation of the modules
- » RAIL 35 is weight-optimized for lower loads
- » Available in various lengths, also in black anodized



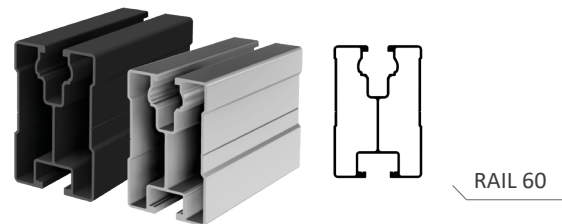
### RAIL 35

Item no. <b>81135-4350</b>	EAN 4262355110131	RAIL 35- 4350 mm	150 pcs. per PU
----------------------------	-------------------	------------------	-----------------



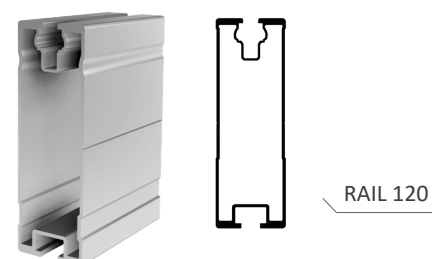
### RAIL 40

Item no. <b>81140-4350</b>	EAN 4262355110124	RAIL 40- 4350 mm	150 pcs. per PU
Item no. <b>86140-4350</b>	EAN 4262355110117	RAIL 40- 4350 mm, black anodized	150 pcs. per PU
Item no. <b>81140-5400</b>	EAN 4262355110100	RAIL 40- 5400 mm	150 pcs. per PU
Item no. <b>86140-5400</b>	EAN 4262355110094	RAIL 40- 5400 mm, black anodized	150 pcs. per PU



### RAIL 60

Item no. <b>81160-4350</b>	EAN 4262355110070	RAIL 60- 4350 mm	98 pcs. per PU
Item no. <b>86160-4350</b>	EAN 4262355110063	RAIL 60- 4350 mm, black anodized	98 pcs. per PU

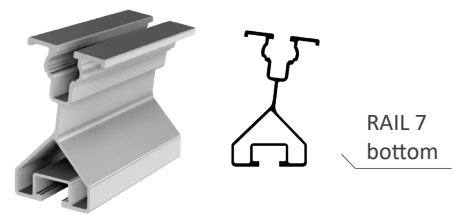


### RAIL 120

Item no. <b>81112-5400</b>	EAN 4262355111299	RAIL 120- 5400 mm	56 pcs. per PU
----------------------------	-------------------	-------------------	----------------

## Module Mounting Profiles RAIL 7

- » Deep top rail channel accommodates module clamps for frame heights 30 mm - 50 mm
- » Bottom rail channel is optimized to fit all SL Rack rooftop attachments
- » Compatible with popular racking systems on the market
- » Same weight/static values as comparable products
- » Depending on the rail height, different spans are possible
- » RAIL 7 can lead to yield increases, thanks to an additional inclination of 7°



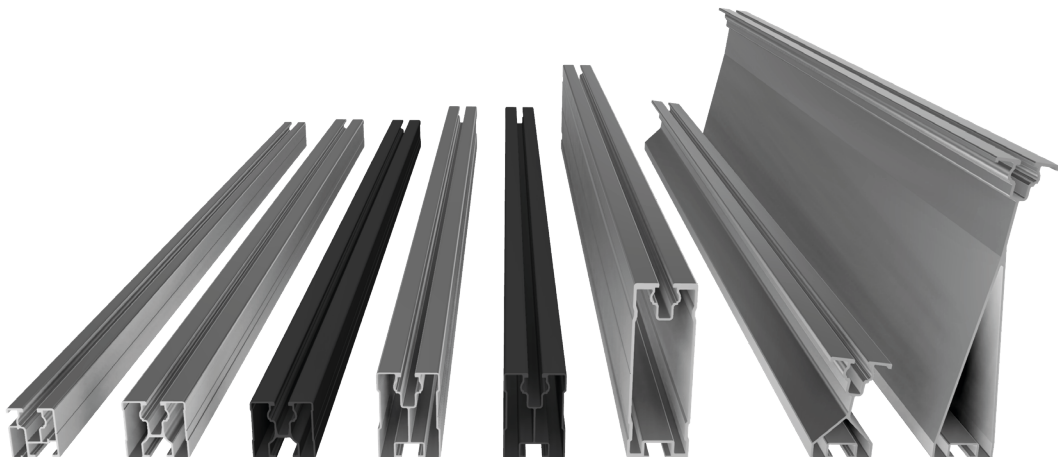
### RAIL 7 BOTTOM

Item no. <b>81107-4350</b>	EAN 4262355111312	RAIL 7 bottom - 4350 mm	84 pcs. per PU
----------------------------	-------------------	-------------------------	----------------



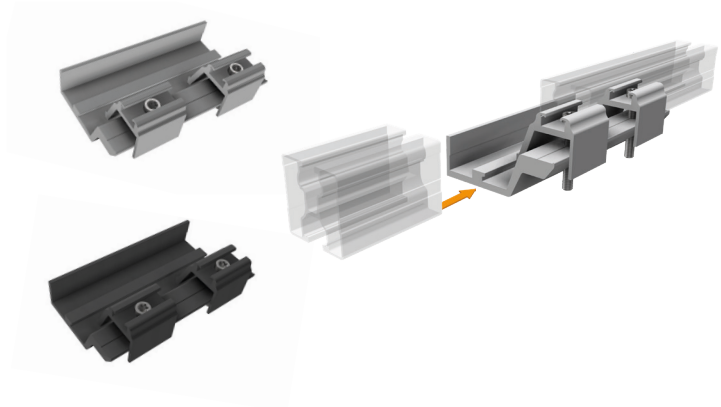
### RAIL 7 TOP

Item no. <b>81106-4350</b>	EAN 4262355111329	RAIL 7 top - 4350 mm	40 pcs. per PU
----------------------------	-------------------	----------------------	----------------



## External Connector RAIL

- » Pre-assembly allows for a quick connection of profiles
- » Compatible with all RAILS and popular profiles on the market
- » Convenient and time-saving installation from the top
- » Only one tool required: Torx TX40
- » Same static values as a continuous rail
- » Also available in black anodized

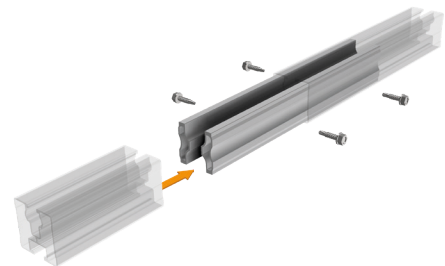


### VARIANTS

Item no. <b>81140-05</b>	EAN 4262355110025	External Connector RAIL	25 pcs. per PU
Item no. <b>86140-05</b>	EAN 4262355110018	External Connector RAIL, black anodized	25 pcs. per PU

## Internal Connector RAIL

- » Including 2 screws
- » Note: 2 internal connectors are required to join 2 profiles



Item no. <b>81140-01</b>	EAN 4262355110001	Internal Connector RAIL 40	100 pcs. per PU
--------------------------	-------------------	----------------------------	-----------------

## Self-Drilling Screw Internal Connector RAIL



Item no. <b>93148-20</b>	EAN 4262355110810	Self-drilling screw 4.8 x 20 for Internal Connector RAIL	100 pcs. per PU
--------------------------	-------------------	--	-----------------



## Internal Connector RAIL 2.0

- » Extremely sturdy, quick and accurate joining of profiles
- » Just one part, screws pre-installed
- » No loss of rail, top and bottom channel can be fully utilized
- » Only one tool required: Torx TX40
- » Same static values as a continuous rail



### VARIANTS

Item no. <b>81135-02</b>	EAN 4262355111442	Internal Connector RAIL 2.0 for RAIL 35	50 pcs. per PU
Item no. <b>81140-02</b>	EAN 4262355110469	Internal Connector RAIL 2.0 for RAIL 40	50 pcs. per PU
Item no. <b>86140-02</b>	EAN 4262355110476	Internal Connector RAIL 2.0 for RAIL 40, black anodized	50 pcs. per PU
Item no. <b>81160-02</b>	EAN 4262355110483	Internal Connector RAIL 2.0 for RAIL 60	40 pcs. per PU
Item no. <b>86160-02</b>	EAN 4262355110490	Internal Connector RAIL 2.0 for RAIL 60, black anodized	40 pcs. per PU
Item no. <b>81112-02</b>	EAN 4262355111459	Internal Connector RAIL 2.0 for RAIL 120	15 pcs. per PU

## End Cap RAIL

- » Available for RAIL 40 and RAIL 60
- » Integrated holes for drainage
- » Compatible with popular systems on the market

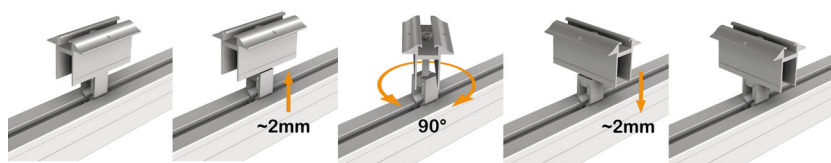


### VARIANTS

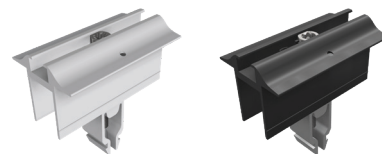
Item no. <b>94640-06</b>	EAN 4262355110506	End Cap RAIL 40, grey	500 pcs. per PU
Item no. <b>94640-05</b>	EAN 4262355110513	End Cap RAIL 40, black	500 pcs. per PU
Item no. <b>94660-06</b>	EAN 4262355110520	End Cap RAIL 60, grey	250 pcs. per PU
Item no. <b>94660-05</b>	EAN 4262355110537	End Cap RAIL 60, black	250 pcs. per PU

## Mid Clamps and End Clamps Vario

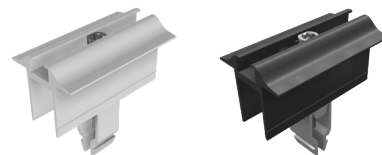
- » Universal mid and end clamp for frame heights 30 mm - 50 mm
- » Vertical or horizontal mounting by simply lifting and turning the claw 90°
- » Completely pre-assembled; compatible with all RAILS
- » Optimized warehousing
- » Convenient top-down installation
- » Only one tool required: Torx TX40
- » 70 mm clamp length ensures a safe installation
- » Mid clamp available with or without grounding pin for potential equalization
- » Also available in black anodized



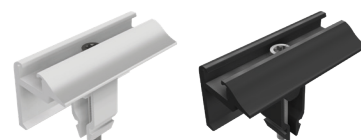
Easy switch between horizontal and vertical: just lift and turn the claw 90°



Mid clamp Vario with grounding pin for frame heights 30 mm - 50 mm



Mid clamp Vario without grounding pin for frame heights 30 mm - 50 mm



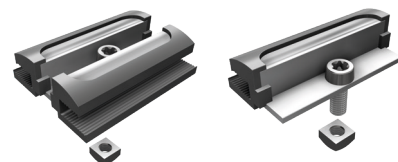
End clamp Vario for frame heights 30 mm - 50 mm

### VARIANTS

Item no. 91112-00	EAN 4262355110544	End clamp Vario	100 pcs. per PU
Item no. 96112-00	EAN 4262355110551	End clamp Vario, black anodized	100 pcs. per PU
Item no. 91121-01	EAN 4262355110568	Mid clamp Vario with grounding	100 pcs. per PU
Item no. 96141-01	EAN 4262355110575	Mid clamp Vario with grounding, black anodized	100 pcs. per PU
Item no. 91151-01	EAN 4262355110582	Mid clamp Vario	100 pcs. per PU
Item no. 96151-01	EAN 4262355110599	Mid clamp Vario, black anodized	100 pcs. per PU

## Laminat Clamps

- » Laminat clamps for frameless thin-film modules with a thickness of 6,8 mm
- » 70 mm clamp length in combination with corrugated EPDM rubber ensures a safe installation
- » Convenient installation from the top
- » Including M8 bolt and square nut
- » Optional: Nut Insert M8 (item no. 94301-00), for easy insertion of square nut anywhere on the RAIL profile



Laminat mid clamp

Laminat end clamp

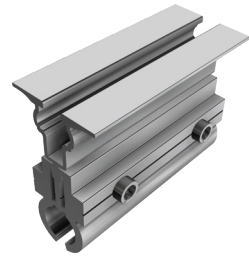
### VARIANTS

Item no. 91601-68	EAN 4262355110605	Laminat mid clamp, incl. screw and nut	100 pcs. per PU
Item no. 91601-69	EAN 4262355110612	Laminat end clamp, incl. screw and nut	100 pcs. per PU

## Round Seam Clamp **Falz18H**

- » Suitable for round seam roofs  $\varnothing$  18 mm
- » Horizontal, rail-less module installation
- » Add Cross Connector item no. 91202-00 and RAIL profile for a vertical module mount
- » Only one tool required: Torx TX40
- » Material: Aluminum

**Falz18H**  
for round seams  
 $\varnothing$  18 mm, horizontal  
Item no. 11401-01

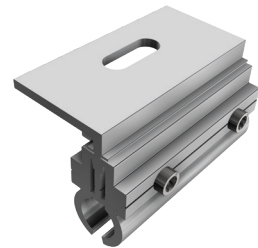


Item no. 11401-01	EAN 4262355110629	Falz18H for round seams $\varnothing$ 18 mm, horizontal	50 pcs. per PU
-------------------	-------------------	---	----------------

## Round Seam Clamp **Falz18V**

- » Suitable for round seam roofs  $\varnothing$  18 mm
- » Vertical or horizontal direct mounting of rails through M10 slot
- » Bolt (M10x25) and nut optionally available, items no. 93110-25 and 93306-10
- » Connection to the seam: Torx TX40
- » Material: Aluminum

**Falz18V**  
for round seams  
 $\varnothing$  18 mm, vertical  
Item no. 11401-02

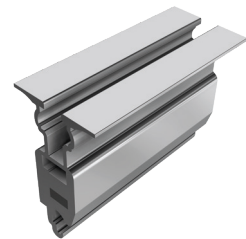


Item no. 11401-02	EAN 4262355110636	Falz18V for round seams $\varnothing$ 18 mm, vertical	50 pcs. per PU
-------------------	-------------------	---	----------------

## Seam Clamp **DFalzPro**

- » Suitable for common double-fold standing seam roofs
- » Horizontal, rail-less module installation
- » Add Cross Connector item no. 91202-00 and RAIL profile for a vertical module mount
- » Titanium zinc sheeting: max. rail length 3-4 m
- » Material: Aluminum

**DFalzPro**  
for standing seams,  
horizontal  
Item no. 11401-05



Item no. 11401-05	EAN 4262355110643	DFalzPro for standing seams, horizontal	50 pcs. per PU
-------------------	-------------------	---	----------------

## Seam Clamp **DFalzCu**

- » Suitable for common double-fold standing seam roofs made of copper
- » Horizontal, rail-less module installation
- » Add Cross Connector item no. 91202-00 and RAIL profile for a vertical module mount
- » Material: Aluminum (top), stainless steel (bottom)

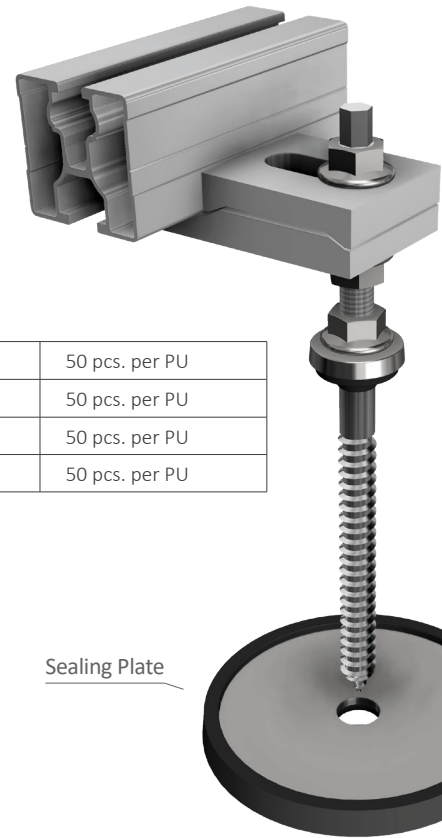
**DFalzCu**  
for copper standing  
seams, horizontal  
Item no. 11401-03



Item no. 11401-03	EAN 4262355110650	DFalzCu for copper standing seams, horizontal	50 pcs. per PU
-------------------	-------------------	---	----------------

## SL Hanger Bolt Set

- » Hanger bolt adaptor for the universal attachment of any RAIL or profile with a 10.5 mm bottom channel
- » Water sealing through EPDM rubber
- » Pressure dome provides UV-protection to maintain the sealing function
- » Attaches to wooden substructures



### VARIANTS

Item no. 23310-200	EAN 4262355110667	SL Hanger Bolt Set M10 x 200 mm	50 pcs. per PU
Item no. 23310-300	EAN 4262355110674	SL Hanger Bolt Set M10 x 300 mm	50 pcs. per PU
Item no. 23312-200	EAN 4262355110681	SL Hanger Bolt Set M12 x 200 mm	50 pcs. per PU
Item no. 23312-300	EAN 4262355110698	SL Hanger Bolt Set M12 x 300 mm	50 pcs. per PU

## Sealing Plate

- » Ensures a balanced load distribution
- » Excellent sealing performance for tin roofs
- » For bitumen (shingle) roofs the addition of Bitu-Pad is recommended

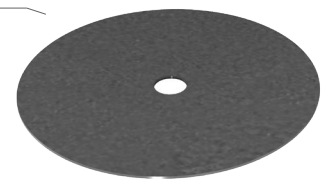
Sealing Plate

Item no. 23201-00	EAN 4262355110704	Sealing Plate	100 pcs. per PU
-------------------	-------------------	---------------	-----------------

## Bitu-Pad

- » Provides an additional layer of sealing for bitumen (shingle) roofs
- » Self-adhesive

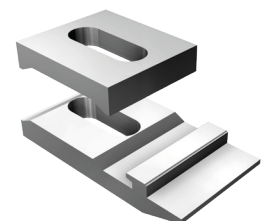
Bitu-Pad



Item no. 23201-03	EAN 4262355110711	Bitu-Pad	100 pcs. per PU
-------------------	-------------------	----------	-----------------

## Hanger Bolt Adaptor

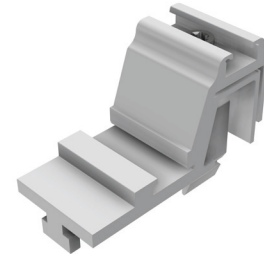
- » Universal mounting of any RAILS or profiles with a bottom channel of 10,5 mm
- » Suitable for hanger bolts M10 and M12



Item no. 11301-12	EAN 4262355111206	Hanger Bolt Adaptor M12	100 pcs. per PU
-------------------	-------------------	-------------------------	-----------------

## Cross Connector

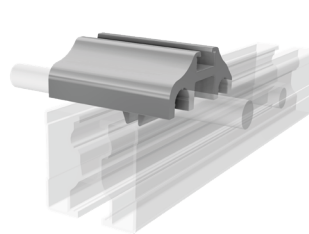
- » Quick and easy 90° cross connection to all RAIL profiles
- » Convenient and time-saving installation from the top
- » Only one tool required: Torx TX40
- » Easy to release and reposition



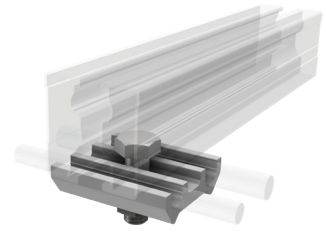
Item no. <b>91202-00</b>	EAN 4262355110735	Cross Connector	100 pcs. per PU
--------------------------	-------------------	-----------------	-----------------

## Lightning Protection Clamp

- » Fits all RAIL profiles
- » Item no. 91518-00: convenient installation from the top, only one tool required: Torx TX40
- » Completely pre-assembled
- » One clamp, two options: round wire  $\varnothing$  8 mm and  $\varnothing$  10 mm
- » Certified to DIN EN 62561
- » Metrological tests need to be performed according to the valid electrotechnical standards



Lightning Protection Clamp top, very low height, suitable for 30 mm module frames



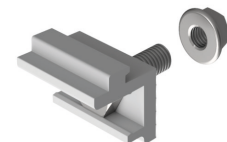
Lightning Protection Clamp bottom, incl. M10 bolt

### VARIANTS

Item no. <b>91518-00</b>	EAN 4262355110742	Lightning Protection Clamp top	100 pcs. per PU
Item no. <b>91520-00</b>	EAN 4262355110759	Lightning Protection Clamp bottom	100 pcs. per PU

## Universal RAIL Adaptor

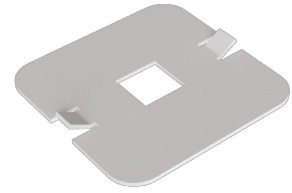
- » Connects RAILS to any common roof hook and roof replacement panel with vertical mounting surface and hole or slot for M10 screw
- » M10 screw is pressed into the Universal RAIL Adaptor
- » No counter-pressure necessary when tightening the nut
- » M10 nut included



Item no. <b>11110-00</b>	EAN 4262355111435	Universal RAIL Adaptor, incl. nut M10	200 pcs. per PU
--------------------------	-------------------	---------------------------------------	-----------------

## Support Plate

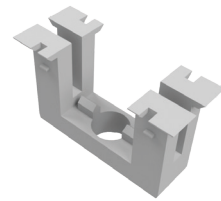
- » Increases the support surface for solar modules
- » Material: Aluminum



Item no. 91701-00	EAN 4262355110766	Support Plate	100 pcs. per PU
-------------------	-------------------	---------------	-----------------

## Nut Insert M8

- » Easy insertion of square nut anywhere on the RAIL profile
- » Enables universal attachment of various components



Item no. 94301-00	EAN 4262355110773	Nut Insert M8	100 pcs. per PU
-------------------	-------------------	---------------	-----------------

## Square Nut



Item no. 93304-08	EAN 4262355110780	Square Nut M8	200 pcs. per PU
-------------------	-------------------	---------------	-----------------

## Hexagon Nut



Item no. 93306-10	EAN 4262355110797	Hexagon Nut M10	100 pcs. per PU
-------------------	-------------------	-----------------	-----------------

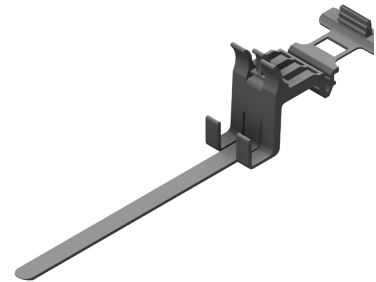
## Hexagon Bolt



Item no. 93110-25	EAN 4262355110803	Hexagon Bolt M10 x 25 mm	100 pcs. per PU
-------------------	-------------------	--------------------------	-----------------

## Cable Clip RAIL

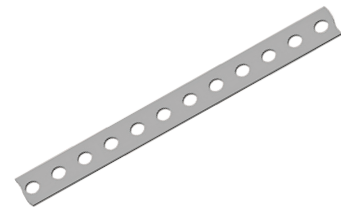
- » Fits any RAIL and popular profile on the market with a 8 mm top channel
- » Suitable for installation underneath panels with a 30 mm frame
- » Quickly installed and easily de-installed for later re-use
- » Effortless repositioning in the rail channel
- » Space for one connector (e.g. MC4) and up to 15 cables with  $\varnothing$  5,4 mm each
- » Forgot a cable? No problem, our cable clip can be re-opened easily
- » Material: UV- and weather-resistant plastic in matt black



Item no. 91402-00	EAN 4262355110827	Cable Clip RAIL, matt black	100 pcs. per PU
-------------------	-------------------	-----------------------------	-----------------

## Perforated Aluminium Tape

- » Perforated aluminum tape for potential connections, 27 x 1.5 mm,  $\varnothing$  6,75 mm
- » 50 m roll, hole distance 40 mm



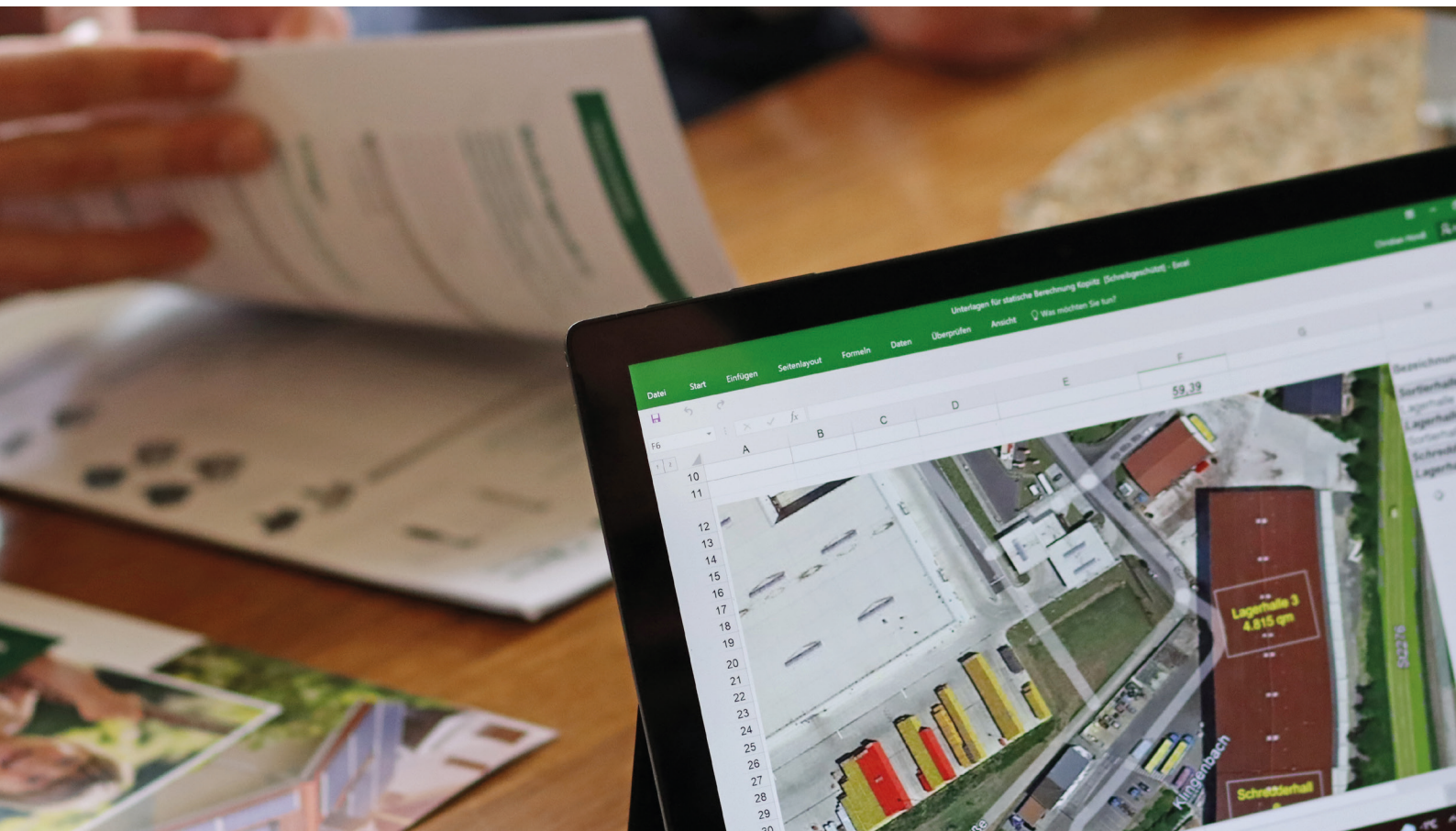
Item no. 91827-50	EAN 4262355110834	Perforated aluminum tape for potential connections - 50 m	10 pcs. per PU
-------------------	-------------------	---	----------------

## Wood Screw Flange Head



### VARIANTS

Item no. 92106-08	EAN 4262355110841	Wood screw, flange head 6 x 80 mm TX 30	100 pcs. per PU
Item no. 92106-10	EAN 4262355110858	Wood screw, flange head 6 x 100 mm TX 30	100 pcs. per PU
Item no. 92106-12	EAN 4262355110865	Wood screw, flange head 6 x 120 mm TX 30	100 pcs. per PU
Item no. 92108-08	EAN 4262355110872	Wood screw, flange head 8 x 80 mm TX 40	50 pcs. per PU
Item no. 92108-10	EAN 4262355110896	Wood screw, flange head 8 x 100 mm TX 40	50 pcs. per PU
Item no. 92108-12	EAN 4262355110889	Wood screw, flange head 8 x 120 mm TX 40	50 pcs. per PU
Item no. 92108-28	EAN 4262355110902	Wood screw, flange head 8 x 280 mm TX 40	50 pcs. per PU



SL Rack  
[YouTube](#)



SL Rack  
[Website](#)



SL Rack  
[Onlineshop](#)



Contact us  
for an offer:

**SL Rack GmbH**  
Münchener Straße 1  
83527 Haag i. OB  
E-Mail: [sales@sl-rack.com](mailto:sales@sl-rack.com)  
Phone: +49 8072 3767-0  
[www.sl-rack.com](http://www.sl-rack.com)