

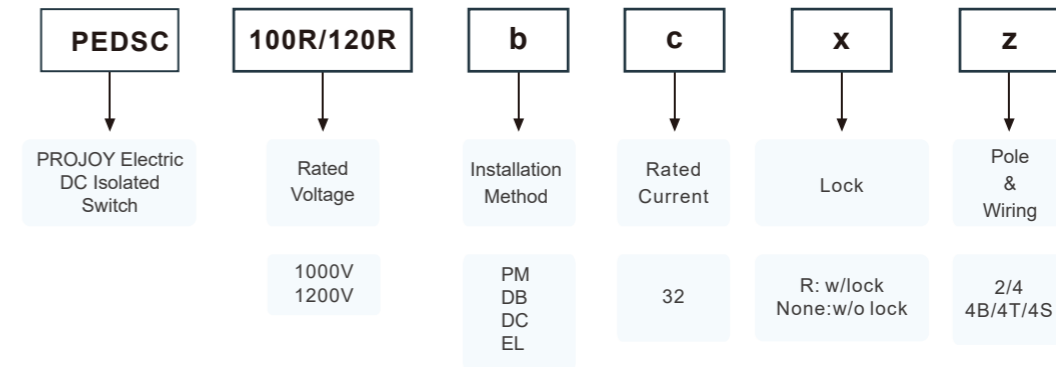
PEDSC100R/ 120R Series DC Isolated Switch

CE △ CB SAA

PROJOY
electric
- Switch To Safety! -

PROJOY
electric
- Switch To Safety! -

Select Code



Technical Data

Data according to IEC/EN60947-3:2009+A1+A2, AS60947.3 , Utilization category DC-PV1 , DC-PV2

Main Parameters			PEDSC100R/120R-32(R)
Rated insulation voltage	Ui	V	1500
Rated thermal current	Ith	A	32
Rated impulse withstand voltage	Uimp	V	8000
Rated short-circuit making capacity	Icw	A	1000
Maximum cable cross sections (incl. jumper)			
Solid or standard		mm2	4-16
Flexible		mm2	4-10
Flexible (+ multicore cable end)		mm2	4-10
Torque			
Tightening torque terminal screws M4.		Nm	1.2-1.8
Tightening torque shell mounting screws ST4.2(304 stainless steel)		Nm	1.5-2.0
Tightening torque knob screws M3		Nm	0.5-0.7
Switching on or off Torque		Nm	0.9-1.3
The wiring Torque on Base		Nm	1.1-1.4
General parameters			
Knob positions			OFF at 9 hr, ON at 12 hr(Optional OFF at 12 hr, ON at 3 hr)
Mechanical life			10000
Number of DC poles			2 or 4 (6, 8 optional)
Operation temperature			-40 to +85
Storage temperature			-40 to +85
Pollution degree		°C	2
Overvoltage category		°C	III
IP rating of shafte and mounting nul			IP66

High Craftmanship AND High Standards



Small volume



Flame retardant material



IP66



Flying Fox Short



Complete accessories



-40°C~+85°C
Ambient temperature range

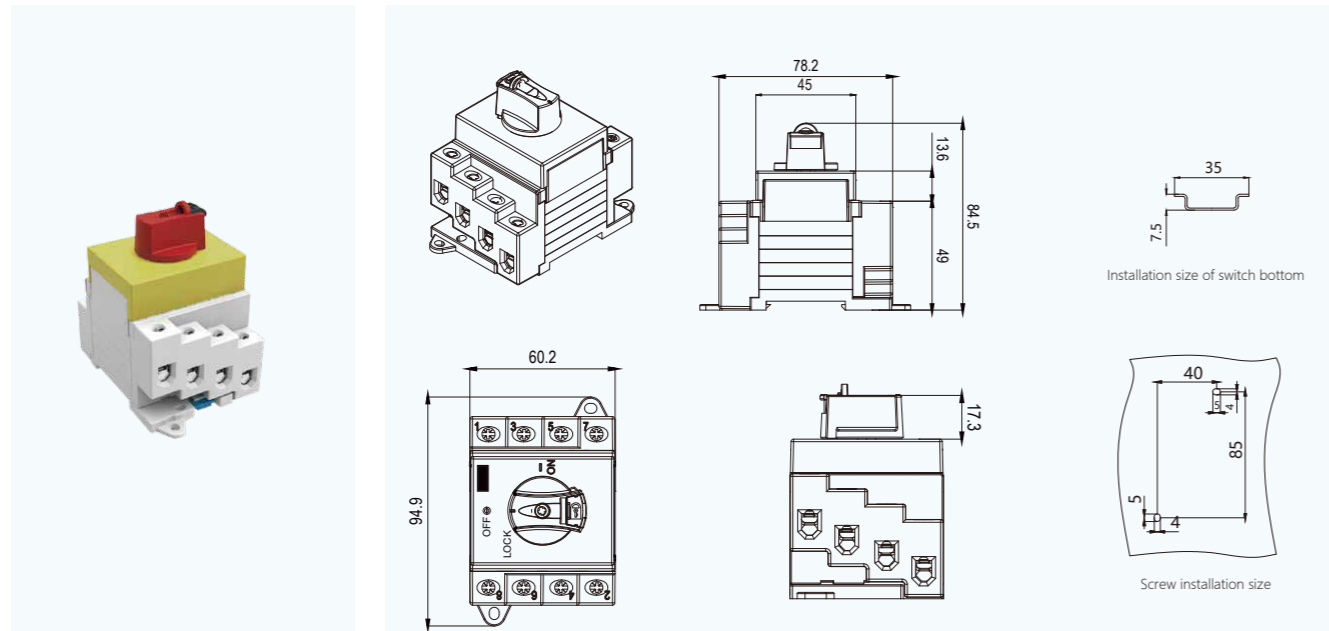


Non-polar design

DISTRIBUTION BOARD DC ISOLATOR

PEDSC100R/120R-DB32

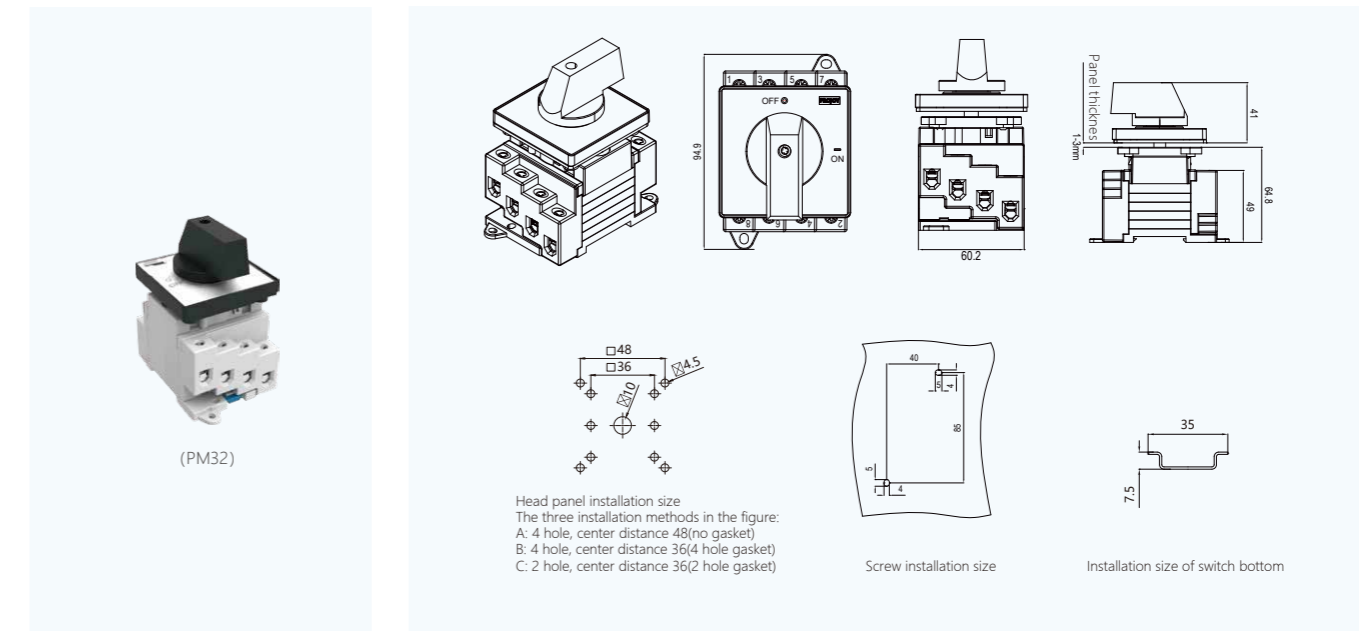
Dimensions



PANEL MOUNTING DC ISOLATOR

PEDSC100R/120R-PM32R

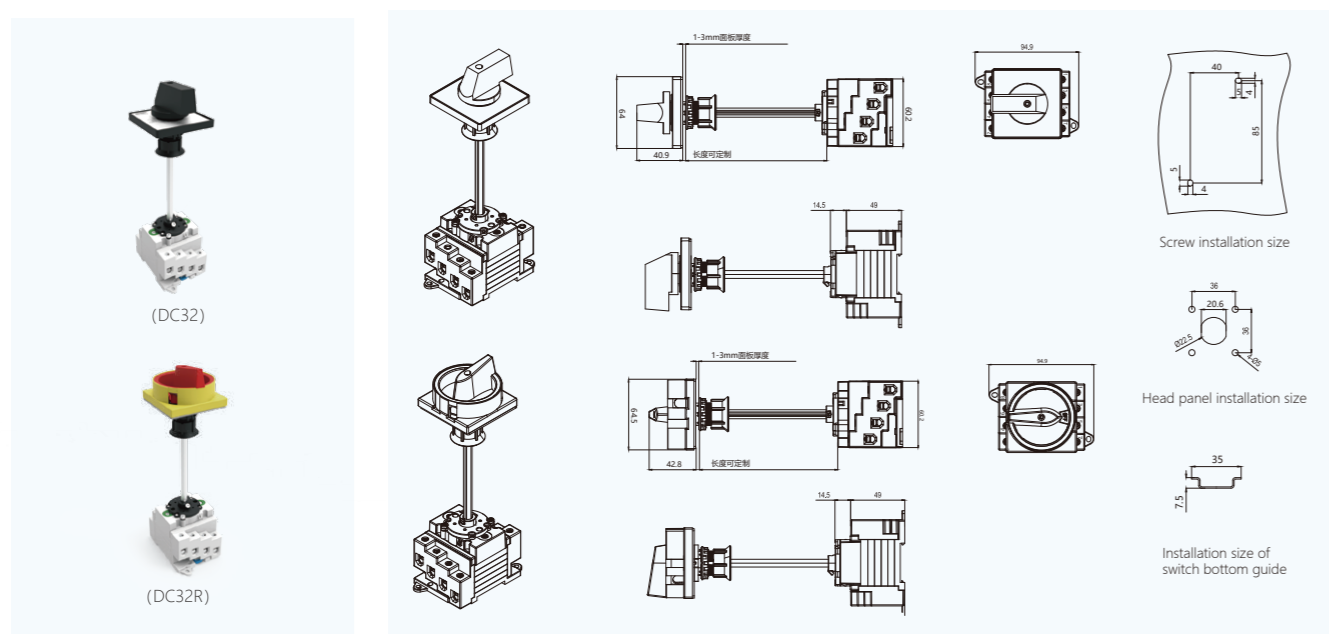
Dimensions
PEDSC100R/120R-PM32



DOOR CLUTCH DC ISOLATOR

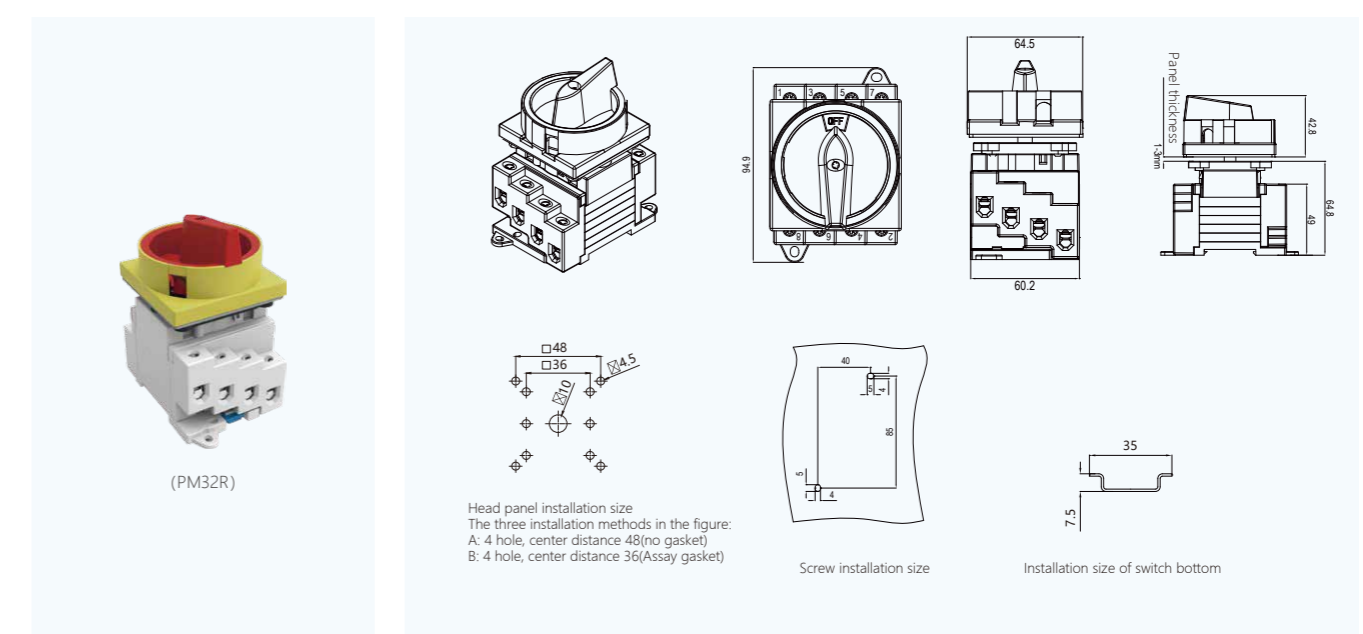
PEDSC100R/120R-DC32R

Dimensions



DISTRIBUTION BOARD DC ISOLATOR

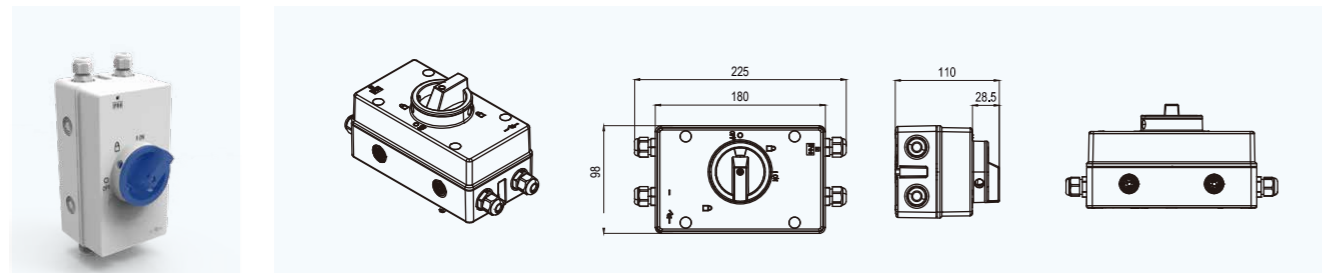
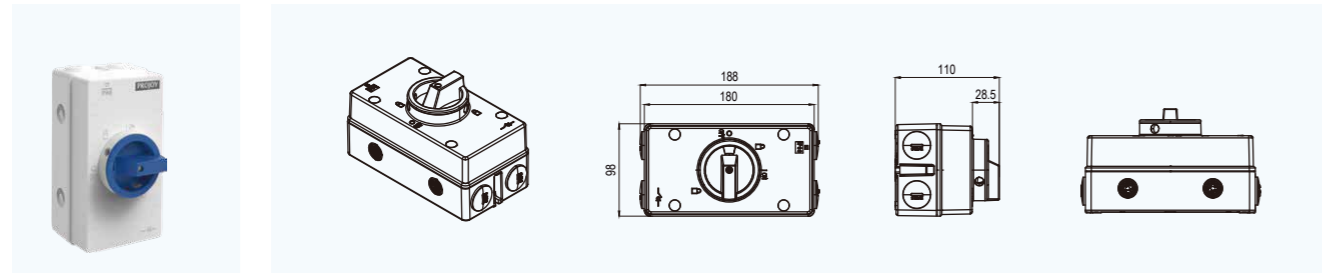
Dimensions



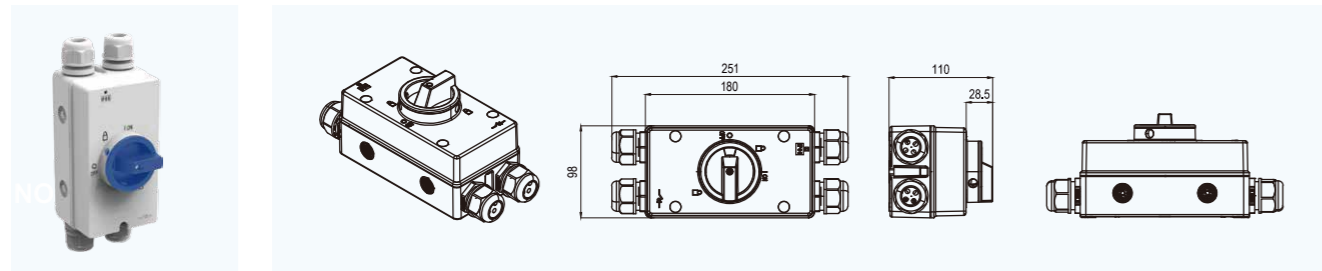
ENCLOSURE DC ISOLATOR

PEDSC100R/120R-EL32R

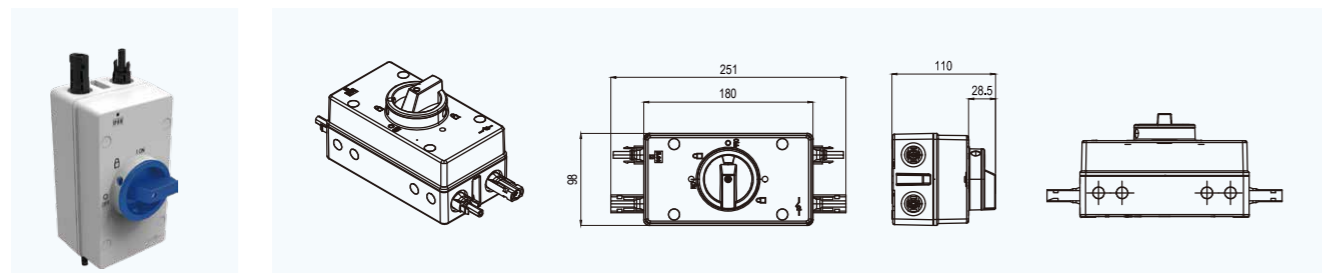
Dimensions



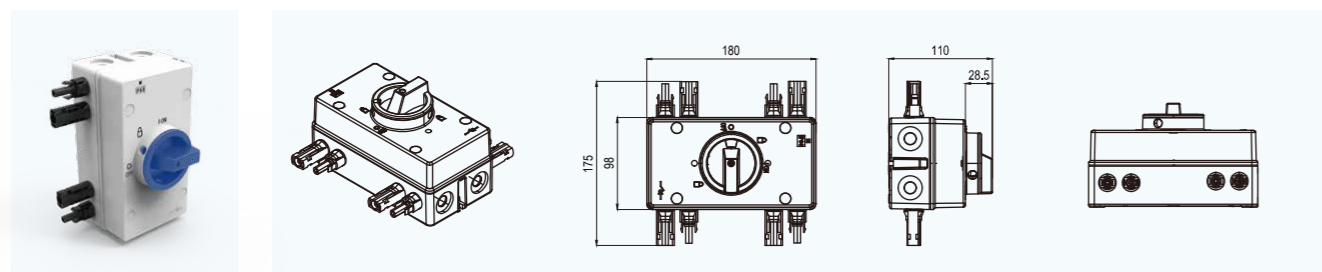
PEDSC100R/120R-EL32R M25



PEDSC100R/120R-EL32R 2MC4



PEDSC100R/120R-EL32R 4MC4



Technical Data

Data according to IEC/EN60947-3:2009+A1+A2, AS60947.3, Utilization category DC-PV1, DC-PV2										Pole	No. of Strings	Part Number
300V		600V		800V		1000V		1200V				
PV1	PV2	PV1	PV2	PV1	PV2	PV1	PV2	PV1	PV2			
32	32	32	32	32	16	16	9	/	/	2	1	PEDSC100R-a32x-2
32	32	32	32	32	16	16	9	13	9	2	1	PEDSC120R-a32x-2
32	32	32	32	32	16	16	9	/	/	4	2	PEDSC100R-a32x-4
32	32	32	32	32	16	16	9	13	9	4	2	PEDSC120R-a32x-4
32	32	32	32	32	32	32	32	/	/	4	1	PEDSC120R-a32x-4S
32	32	32	32	32	32	32	32	32	32	4	1	PEDSC100R-a32x-4S
32	32	32	32	32	32	32	32	/	/	4	1	PEDSC120R-a32x-4B
32	32	32	32	32	32	32	32	32	32	4	1	PEDSC100R-a32x-4B
32	32	32	32	32	32	32	32	/	/	4	1	PEDSC120R-a32x-4T
32	32	32	32	32	32	32	32	32	32	4	1	PEDSC100R-a32x-4T

Switching Configuration

Type	2-Pole	4-Pole	4-pole with Input and Output on top	4-pole with Input and Output bottom	4-pole with Input on top Output bottom
PEDSC100R/120R	2	4	4T	4B	4S
Contacts Wiring graph					
Switching example					