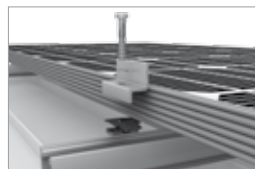
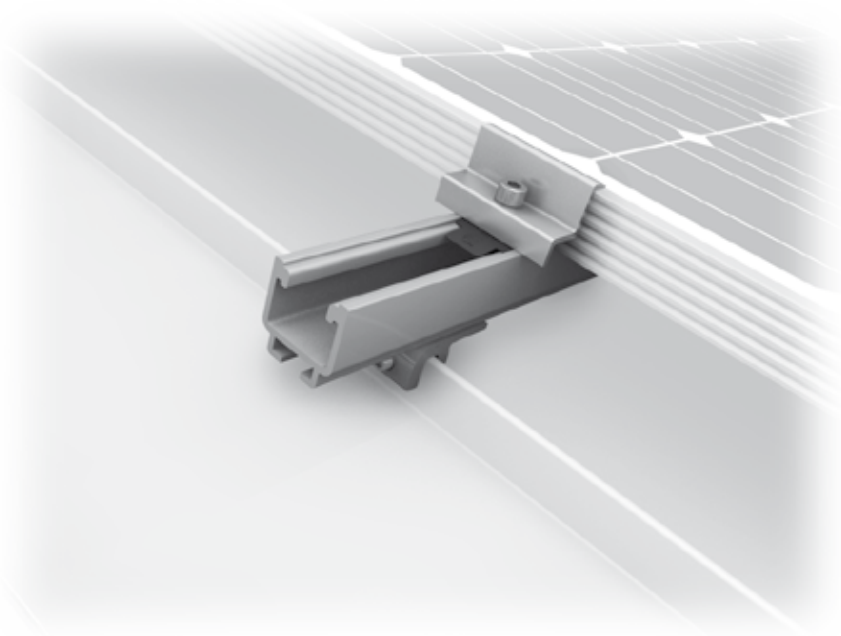


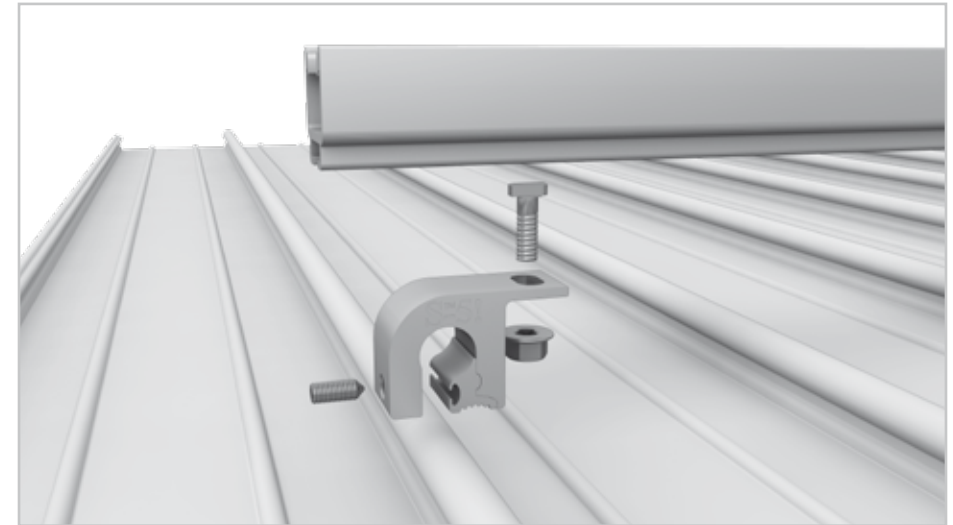
Mounting systems for solar technology



K2 SYSTEMS
SLOPED ROOF SYSTEMS
SEAM METAL SYSTEM

SEAM METAL SYSTEM

- ↪ For roofs with different profiled seamed metal roofing
- ↪ Fastening with clamps below the seam joint
- ↪ No roof penetration required
- ↪ Strong holding forces
- ↪ Easy and flexible assembly
- ↪ Connection with the K2 SolidRail range of rails
- ↪ Can also be installed in cross bracing (e.g. with CrossRail)
- ↪ Clamps available in stainless steel or aluminium
(Clamps in other materials for different roof types on request)
- ↪ Modular structure suitable for any system size

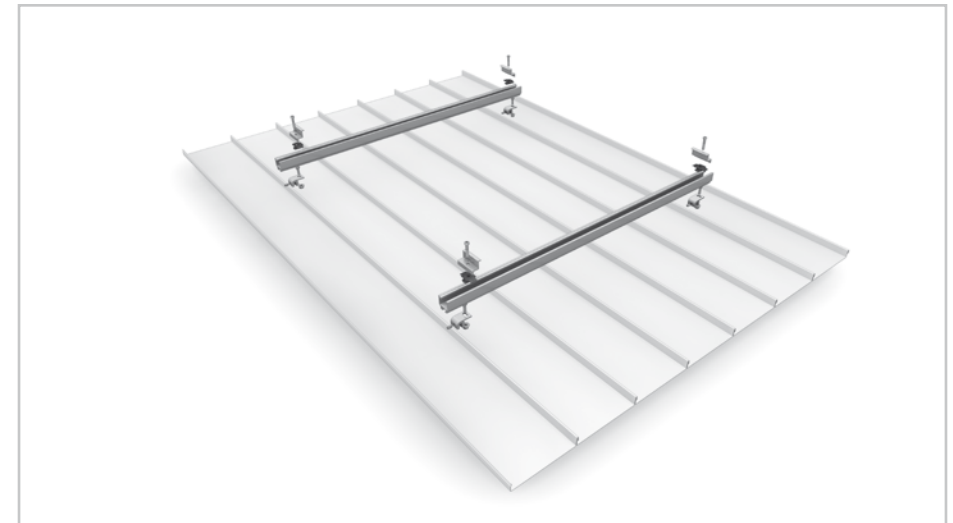


Explosion drawing - Seam Metal

Technical data



Field of application	Sloped roof
Roofing	Seam metal
PV modules	Suitable for all standard module types
Module orientation	Vertical / horizontal (with cross bracing)
Material	Aluminium (EN AW-6063 T66)
Connecting elements	A2-70 stainless steel, aluminium
Roof connection	Screw connection / clamping
Static principles	Determination of load capacity values by independent test institutes
Load assumption in accordance with	DIN EN 1991 (Eurocode 1)
System components	K2 metal clamps, K2 SolidRail range, end and middle clamp sets, T-bolts, M K2, self-locking nut



System Explosion drawing



Elpo | Bruneck - Italy
System: 66,24 kW | Seam metal with S5!



Elpo | Neumarkt - Italy
System: 39,60 kW | Seam metal with S5!

SERVICE-HOTLINE
+49 (0)7152 3560-0
www.k2-systems.com

Produktblatt Blechfalz | GB3 | 0413 | Subject to change
Product illustrations are exemplary illustrations and may differ from the original.

